



## **User's Manual**

**Professional Rack Mount LCD XL Series  
PR1000ELCDRTLXL2U/PR1500ELCDRTLXL2U/  
PR2200ELCDRTLXL2U**

## IMPORTANT SAFETY INSTRUCTIONS

This manual contains important instructions. Please read and follow all instructions carefully during installation and operation of the unit. Read this manual thoroughly before attempting to unpack, install, or operate the UPS.

**CAUTION!** The UPS must be connected to a grounded AC power outlet with fuse or circuit breaker protection. DO NOT plug the UPS into an outlet that is not grounded. If you need to power-drain this equipment, turn off and unplug the unit.

**CAUTION!** The battery can power hazardous components inside the unit, even when the AC input power is disconnected.

**CAUTION!** The UPS should be near the connected equipment and easily accessible.

**CAUTION!** To prevent the risk of fire or electric shock, install in a temperature and humidity controlled indoor area, free of conductive contaminants. (Please see specifications for acceptable temperature and humidity range).

**CAUTION!** To reduce the risk of an electric shock, do not remove the cover, except to service the battery. There are no user serviceable parts inside, except for the battery.

**CAUTION!** To avoid electrical shock, turn off the unit and unplug it from the AC power source before servicing the battery or installing a computer component.

**CAUTION!** To reduce the risk of fire, connect the UPS to a circuit with 16 amperes maximum over-current protection in accordance to CE requirement.

**CAUTION!** The AC outlet where the UPS is connected should be close to the unit and easily accessible.

**CAUTION!** Please use only VDE-tested, CE-marked mains cable, (e.g. the mains cable of your equipment), to connect the UPS to the AC outlet.

**CAUTION!** Please use only VDE-tested, CE-marked power cables to connect any equipment to the UPS.

**CAUTION!** When installing the equipment, ensure that the sum of the leakage current of the UPS and the connected equipment does not exceed 3.5mA.

**CAUTION!** This is permanently connected equipment and only qualified maintenance personnel may carry out installations.

**CAUTION!** Do not unplug the unit from AC Power during operation, as this will invalidate the protective ground insulation.

**CAUTION! DO NOT USE FOR MEDICAL OR LIFE SUPPORT EQUIPMENT!** Under no circumstances this unit should be used for medical applications involving life support equipment and/or patient care.

**CAUTION! DO NOT USE WITH OR NEAR AQUARIUMS!** To reduce the risk of fire, do not use with or near aquariums. Condensation from the aquarium can come in contact with metal electrical contacts and cause the machine to short out.

**CAUTION! DO NOT USE WITH LASER PRINTERS!** The power demands of laser printers are too large for a UPS.

**DO NOT INSTALL THE UPS WHERE IT WOULD BE EXPOSED TO DIRECT SUNLIGHT OR NEAR A STRONG HEAT SOURCE!**

**DO NOT BLOCK OFF VENTILATION OPENINGS AROUND THE HOUSING!**

**DO NOT CONNECT DOMESTIC APPLIANCES SUCH AS HAIR DRYERS TO UPS OUTPUT SOCKETS.**

## INSTALLING YOUR UPS SYSTEM

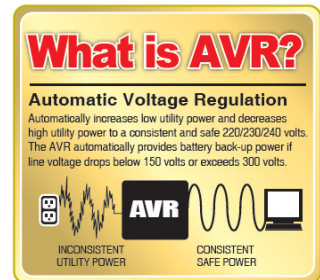
### UNPACKING

The box should contain the following:

(1) UPS unit x 1; (2) User manual x 1; (3) Phone line x 1; (4) PowerPanel® Business Edition software CD x 1; (5) USB A+B type cable x 1; (6) Rack mount Brackets x 2; (7) Skids x 2; (8) Emergency Power Off Cable (gray) x 1; (9) Serial Interface Cable (DB-9) x 2; (10) Power cord x 4 (Power cord x 6 for PR2200ELCDRTXL2U)

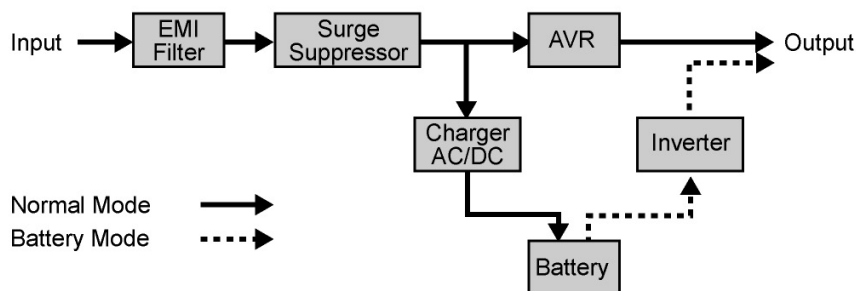
### AUTOMATIC VOLTAGE REGULATOR(AVR)

The **PR1000ELCDRTXL2U/PR1500ELCDRTXL2U/PR2200ELCDRTXL2U** can stabilize the consistent utility power. The utility power may be damaging to important data and hardware, but Automatic Voltage Regulation helps the computer not experience dangerous voltage levels. Automatic Voltage Regulator automatically regulates low or high voltages to keep equipment working at safe AC power levels (220/230/240V) without switching to battery. Your equipment can operate normally even meet the power problems, such as, short brownouts and blackouts. The unit's powerful sealed lead-acid batteries will provide power only if the incoming voltage drops below 150V or increases above 300V.



## INSTALLING YOUR UPS SYSTEM (continued)

### SYSTEM BLOCK DIAGRAM



### HARDWARE INSTALLATION GUIDE

1. Battery charge loss may occur during shipping and storage. For the first time the UPS is used, it's strongly recommended to charge batteries for at least eight hours is recommended to ensure that the batteries' maximum charge capacity. To recharge the batteries, simply make the UPS plugs into an AC outlet.
2. When you use the included software, connect either the serial or the USB cable between the computer and the corresponding port on the UPS. **Note:** If the USB port is used, the serial port will be disabled. They cannot be used simultaneously. The computer with the PowerPanel® Business Edition S/W connects to the USB port or the Serial port on the UPS. It can control the operating schedule, battery test, outlet, etc. and get information on the UPS status. However, other computers with PowerPanel® Business Edition S/W can only get UPS status information via a LAN connection.
3. With the UPS off and unplugged, connect your computer, monitor, and any externally powered data storage device (Hard drive, Tape drive, etc.) into the outlets. **DO NOT** plug a laser printer, copier, space heater, vacuum, paper shredder or other large electrical device into the UPS. The power demands of these devices will overload and possibly damage the unit.
4. To protect a fax, telephone, modem line or network cable, connect the telephone or network cable from the wall jack outlet to the jack marked "IN" of the UPS. Then, connect a telephone cable or network cable from the jack marked "OUT" on the UPS to the modem, computer, telephone, fax machine, or network device.

## INSTALLING YOUR UPS SYSTEM (continued)

5. Press the power switch to turn the UPS on. The Power-On indicator light will illuminate. If an overload is detected, an audible alarm will sound and the UPS will emit one long beep. In order to reset it, turn the unit off and unplug some equipment from outlets. Make sure your equipment carry a load current within the unit's safe range, (refer to the technical specifications), and then turn the unit on.

6. Your UPS is equipped with an auto-charge feature. When the UPS is plugged into an AC outlet, the battery will be automatically charging, even when the unit is switched off!

7. To always maintain an optimal battery charge, leave the UPS plugged into an AC outlet at all times.

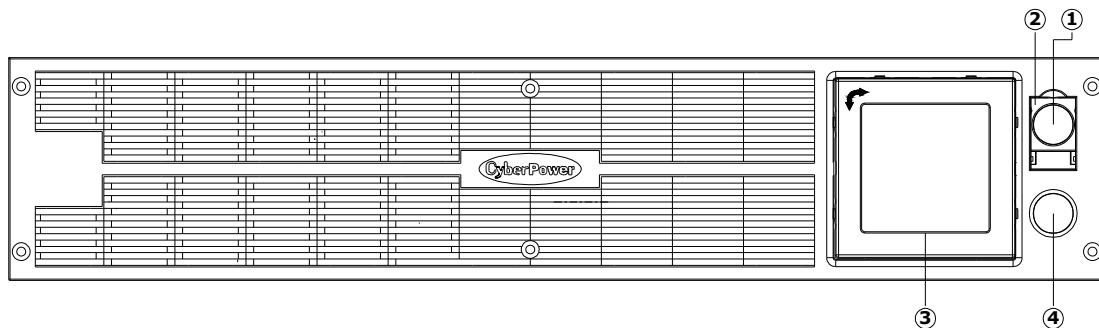
8. Before storing the UPS for an extended period of time, turn the unit OFF. Then cover it and store it with the batteries fully charged. Recharge the batteries every three months or so, to ensure good battery capacity and long battery life; further, this might also prevent damage to the unit from an unlikely battery leakage.

9. The unit provides one Primary Serial Port (I), Secondary Serial Port (II), and one USB port, (paired with the Primary Serial Port), to allow connection and communication between the unit and any attached computers. The Primary Serial Port (I) as well as its paired USB port allow for bi-directional communication among the UPS and the primary connected computer running the PowerPanel® Business Edition S/W provided. The UPS can control the computer's shutdown in case of an emergency, and at the same time, the computer can monitor the UPS and alter its various programmable parameters. On the other hand, secondary Serial Port II, only allows the UPS to initiate the connected computer's graceful auto-shutdown in case of an emergency.

10. EPO (Emergency Power Off) Port:

Use the provided gray cable to connect to a special EPO contact switch. Follow the appropriate circuit diagram below to wire the cable to your EPO configuration. The EPO remote switch is a switch installed in an outside area, connected to the unit via an ordinary RJ-11 phone line. In case of an emergency, it can be used to immediately cut-off power from the UPS unit.

## BASIC OPERATION



### **FRONT / REAR PANEL DESCRIPTION**

#### **1. Power Switch**

Master on/off switch for equipment connected to the UPS.

#### **2. Power On Indicator**

Indicate that the AC utility input power's condition is normal and that the UPS outlets are providing power, free of surges and spikes.

#### **3. Multifunction LCD Readout**

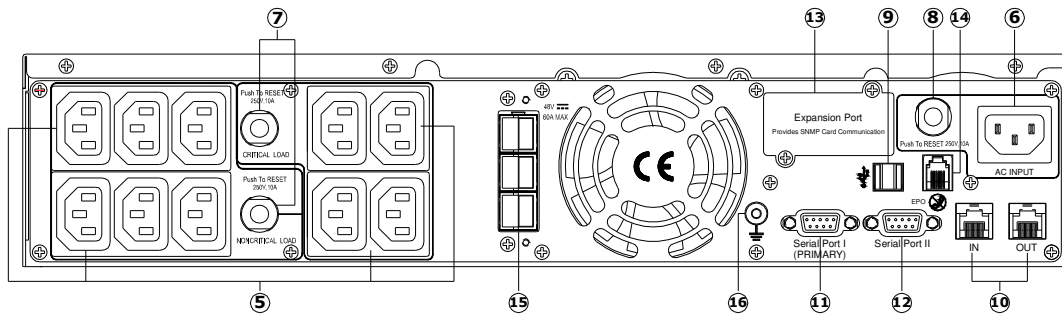
An LCD that shows various UPS information using icons and messages.

#### **4. LCD Readout Toggle Button**

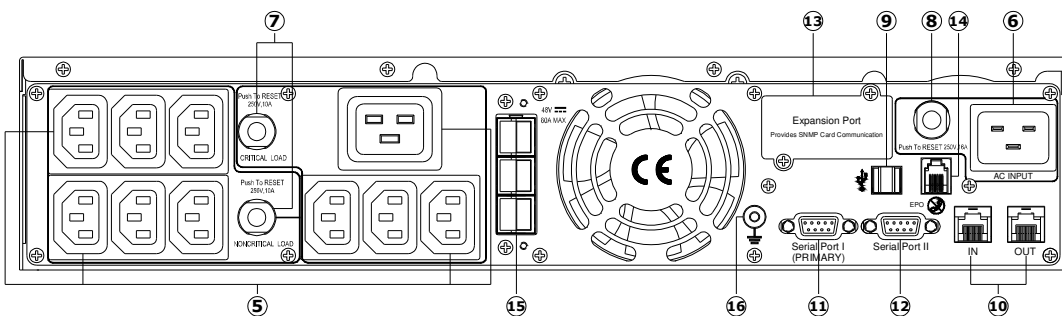
Used to select among a variety of information the LCD can display.

## BASIC OPERATION (continued)

### PR1000ELCDRTL2U/PR1500ELCDRTL2U



### PR2200ELCDRTL2U



#### 5. Battery Backup, Surge Protected and AVR protected Outlets

This unit provides a total of ten outlets with battery backup and surge protection. They ensure that connected equipment will keep an uninterrupted operation over a period of time, during a power failure.

##### Critical /Non-critical

It is possible to program the unit in a way so that the outlet block marked as “non-Critical”, (6 ports), will stop the provision of power to connected equipment after a certain period of time, thus making more runtime available for the equipment connected on the outlets marked as “Critical”, (4 ports). In other words, the user can establish runtime priority for certain connected equipment, maximizing its “availability” during a prolonged power outage. This type of control takes place with the use of the provided PowerPanel® Business Edition S/W.

#### 6. AC Inlet

Connect the AC Power cord to a properly wired and grounded outlet.

#### 7. Output Circuit Breaker

The circuit breaker serves to provide output overload and fault protection.

#### 8. Input Circuit Breaker

The circuit breaker serves to provide input overload and fault protection.

#### 9. USB port to PC

This is a connectivity port allowing communication and control among the UPS and the connected computer. You should install on your computer the PowerPanel® Business Edition software appropriate to the operating system you are using.

#### 10. Surge Protected Communication Ports - RJ11/RJ45

These ports are being used to protect from various surge-conditions the standard RJ-45/RJ-11 based, (ADSL, LAN, Phone/Modem-Lines), cabling systems.

#### 11. Serial Port I (Primary)

Serial port I allow for bi-directional communication among the UPS and the computer. The UPS can control the computer's shutdown in case of an emergency, and at the same time, the computer can monitor the UPS and alter its various programmable parameters.

## BASIC OPERATION (continued)

### 12. Serial Port II (Secondary)

Serial Port II allows the UPS to initiate the connected computer's graceful auto-shutdown in case of an emergency.

### 13. SNMP/HTTP Network slot

Remove the cover panel to install optional SNMP, allowing your UPS be controlled and monitored via a network connection.

### 14. EPO (Emergency Power Off) Port

Allow for an emergency UPS Power-Off from a remote location.

### 15. External Battery Pack Connector

Provides a connection for additional CyberPower external battery packs for extended runtime.

## BATTERY REPLACEMENT

Read and follow the IMPORTANT SAFETY INSTRUCTIONS before servicing the batteries:

Servicing the batteries should only be performed by professionals. Please Contact your dealer, or email to: [service@cyberpower-eu.com](mailto:service@cyberpower-eu.com). Make a note for the replacement battery pack number, **(RBP852)**, regarding PR1000ELCDRTXL2U, PR1500ELCDRTXL2U and PR2200ELCDRTXL2U models.

**CAUTION!** Use only the specified type of battery: **HR9-12FR(BB)** for PR1000ELCDRTXL2U/PR1500ELCDRTXL2U and PR2200ELCDRTXL2U. Contact your dealer for replacement batteries.

**CAUTION!** The battery may present the risk of electrical shock. Do not dispose of batteries on fire, since they may explode. Follow all local ordinances regarding the proper disposal of batteries.

**CAUTION!** Do not open or mutilate the batteries. Released electrolyte is harmful to the skin and eyes and may be toxic.

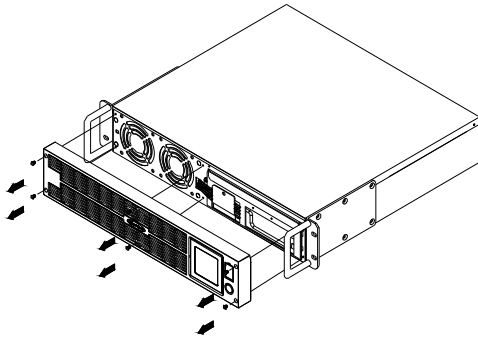
**CAUTION!** A battery can present a high risk of short-circuits and electrical shocks.

**Take the following precautions before replacing the battery:**

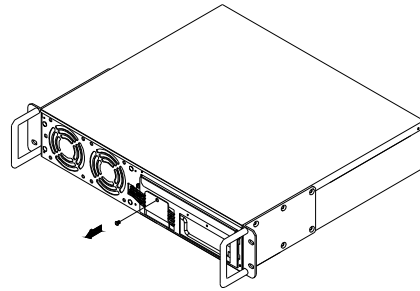
1. Remove all watches, rings or other metal objects from your hands.
2. Only use tools with insulated handles.
3. DO NOT lay tools or other metal parts on top of battery or any battery terminals.
4. Wear rubber gloves and shoes.
5. Determine if the battery is grounded. If so, remove source of ground. **CAUTION: CONTACT WITH A GROUNDED BATTERY CAN RESULT IN ELECTRICAL SHOCK!** The likelihood of such a shock will be greatly reduced if such grounding is removed during installation and maintenance.

## BATTERY REPLACEMENT (continued)

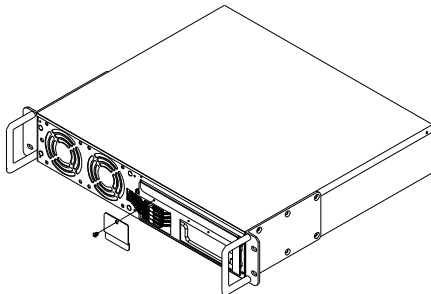
### BATTERY REPLACEMENT PROCEDURE:



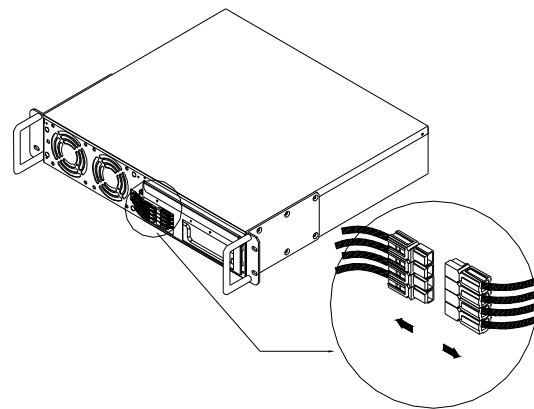
1. Remove the front panel on the right side.



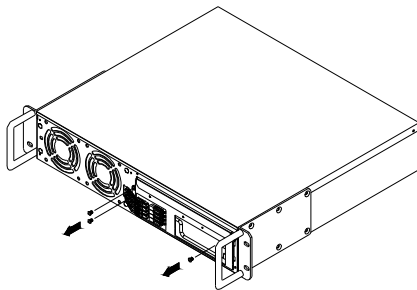
2. Remove the two retaining screws of the cable protection cover then remove the cover.



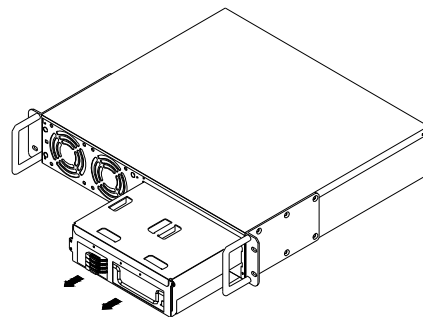
3. Remove the one retaining screws of the cable connectors.



4. Disconnect the black wire and red wire from the battery.



5. Remove the three retaining screws.



6. Put the new battery packs back into the compartment. Tighten up the screws and replace the cable protection cover and the front panel. Recharge the unit for 8 hours to ensure the UPS performs expected runtime.

**REMINDER!** The used batteries are hazardous wastes and must be disposed through recycling. Most retailers that sell lead-acid batteries collect used batteries for recycling, as required by the local regulations.

## DEFINITION FOR ILLUMINATED LCD INDICATORS

1. **Input voltage meter:** This meter measures the AC voltage from the wall outlet. The INPUT voltage readout is used to identify the input voltage information. This can be used as a diagnostic tool to identify poor-quality input power. Units are listed in V (Volts). When the UPS connect to any equipment, the AVR can provide a stable 220/230/240V power output. In the event of a complete loss of power, severe brownout, or over voltage, the UPS relies on its internal battery to back up to supply a consistent 220/230/240V output.

2. **Output voltage meter:** The Output Voltage screen measures, in real time, the AC voltage that the UPS is providing to your connected equipment via the UPS outlets. Units are listed in V (Volts).

3. **Estimate run time:** The Estimated Runtime Screen displays how many minutes of runtime can be expected of the UPS if it were to experience a power outage. When runtime becomes shorted, the battery capacity will decrease; (battery capacity bar indicator will be falling.) **Note:** The number displayed may be less than actual runtimes for low loads.

4. **Normal icon:** This icon illuminates when the UPS is working under normal conditions.

5. **Battery icon:** When there is a severe brownout or blackout, this icon will appear followed by an alarm, (two short beeps), indicating that the UPS is now working using its internal batteries. Once the batteries are run out of power, (over a period of time), a constant alarm will sound. If this happens and main power has not been restored, it is recommended that you save your files and turn off your equipment manually as soon as possible.

6. **Automatic Voltage Regulation (AVR) icon:** This icon will appear when the unit is automatically regulating low or high AC input line voltage conditions, without resulting to the use of battery power.

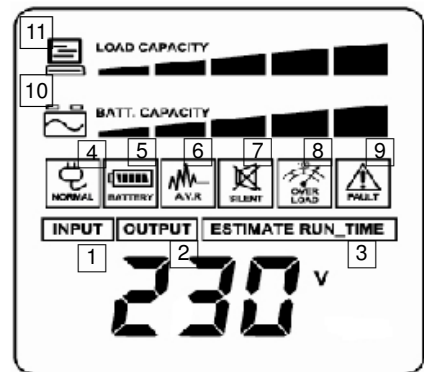
7. **Silent mode icon:** This icon appearing indicates that the buzzer will not be beeping while in battery operating mode. During Silent mode, the unit's alarm does not sound until the Battery Capacity falls to < 20%.

8. **Over load icon:** This icon will appear followed by an alarm, indicating that an overload condition has been reached. To recover from the overload condition, start unplugging your equipment from the UPS outlets until the icon disappears and the alarm stops.

9. **Fault icon:** When activated indicates a system fault error. Please refer to the troubleshooting table for possible causes and solutions.

10. **BATT. CAPACITY:** BATT. CAPACITY is shown as a bar chart; each segment indicates approximately a 20% of battery capacity.

11. **LOAD CAPACITY:** Load CAPACITY is shown as a bar chart; each segment indicates approximately a 20% of load capacity.



The LCD displays detailed information on the UPS status and current power conditions to alert you to potential power problems before they affect your equipment. Note! All related UPS information is based on that you should turn on the UPS.



## LCD SETUP FUNCTIONS

### 1. General Mode:

- a. Press the “Display-Toggle” button to check the status of the UPS status:

	Item	Unit
1	Input Voltage	V
2	Output Voltage	V
3	Output Frequency	Hz
4	Load	Kw
5	Estimate Run Time	Min
6	Load Capacity	%
7	Battery Capacity	%
8	Centigrade	°C
9	Fahrenheit	°F

- b. Press and hold the “Display-Toggle” button for 4 seconds,  
If the machine is in the Battery Mode with active alarm, it will become silent.  
If the machine is in the Line Mode, a self- diagnostic test will take place.

- c. If the “Display-Toggle” button remains untouched for over 30 seconds, the LCD backlight will turn off automatically.

### 2. Set-up Mode

**Step 1:** Hold the “Display-Toggle” button for 10 seconds to enter the UPS Set-Up Mode.

**Step 2:** By pressing the Display toggle, users can switch between setup functions. Some User Configurable functions are as follows:

- a. Delay Time: The time delay between switching from Battery Mode to Line Mode. There are 9 different settings. The default setting is 0 minutes.
- b. Battery Pack Numbers: This function provides the estimated UPS runtime using various numbers of battery packs. The default setting is 0.
- c. Static Frequency Tolerance: There are 4 settings (1, 2, 4, 6 %), and the default setting is +/-6%.  
Functional description: The setting may be adjusted to the quality of the electricity in use.
- d. Slew rate: Also known as Dynamic Frequency Tolerance. There are 5 different settings (0.25, 0.5, 1, 2, 4 Hz/Sec). The fault value is 4Hz/sec. Functional Description: “Slew Rate” indicates the tolerance of a device in accepting frequency variance. Lower “Slew Rate” results in less tolerance but better protection for the connected load and vice versa.
- e. Low Battery Shutdown Voltage: This function will adjust the UPS shutdown point according to the battery’s remaining capacity.

These programmable items are sorted by unit as in the following table :

Items	Unit
Delay Time	Min
Battery Pack Numbers	A
Voltage Mode (220/230/240)	V
Static Frequency Tolerance	%
Slew Rate	Hz
Low Battery Shutdown Voltage	V
Firmware Version	None

**Step 3:** Press and hold the display-toggle for 4 seconds. When the icons blink, the value of each item is changed by slightly pressing the toggle.

## LCD SETUP FUCTIONS

**Step 4:** To save the value and return to general mode, press and hold the toggle for 4 seconds.

**Note! If the UPS is left idle for over 30 seconds during setup, it will turn off the backlight and return to general mode automatically.**

**Note! If the user does not want to save the new settings and return to the general mode, there are two methods:**

- (1) Wait for the backlight to turn off, or,
- (2) By pressing and holding the "Display-toggle" key for 10 second.

## CYBERPOWER GREENPOWER UPS™ TECHNOLOGY

### GreenPower UPS™

CyberPower's GreenPower UPS™ Circuit Design is a solution to this problem "Power Loss." When the Utility Power is operating normally, Green Power UPS™ works in Bypass Mode.

Our GreenPower UPS™ design conducts power only through the Relay and still provides normal output voltage. Bypassing the transformer reduces power consumption thereby conserving energy and saving money. When the utility power is abnormal the UPS will operate under Battery or AVR Mode. Under this condition Green Power UPS™ and a traditional UPS would operate about the same.



On average utility power operates 88% of the time and the CyberPower GreenPower Technology will work in its money/ energy saving Bypass Mode.

## TECHNICAL SPECIFICATIONS

Model	PR1000ELCDRTXL2U	PR1500ELCDRTXL2U	PR2200ELCDRTXL2U
Capacity (VA)	1000	1500	2200
Capacity (Watts)	750	1125	1650
<b>Input</b>			
Input connections	IEC 320 C14		IEC 320 C20
Nominal Input Voltage	230Vac		
Input Voltage Range	160Vac – 290Vac		
Input Frequency Range	50/60Hz +/- 3Hz (Auto Sensing)		
<b>Output</b>			
On Battery Output Voltage	230Vac +/- 5%		
On Battery Output Frequency	50/60Hz +/- 0.1Hz		
Transfer Time (Typical)	4ms		
Overload Protection	On Utility: Circuit Breaker, On Battery: Internal Current Limiting		
<b>Surge Protection and Filtering</b>			
Lightning / Surge Protection	Yes		
Internet Ready (DSL / Phone / FAX / Modem Protection)	RJ11/RJ45 ( One In/ One Out )		
<b>Physical</b>			
Output Receptacles	(10) IEC C13		(9) IEC C13, (1) IEC C19
Dimensions(cm)	2U Rack, 43.3 x 8.8 x 48		
Weight (kg)	31.3	33.9	35
<b>Battery</b>			
Sealed Maintenance Free Lead Acid Battery	12V / 9.0AH x4		
Hot Swappable External Battery	Yes		
<b>Warning Diagnostics</b>			
Indicators	Power On, LCD Display (Using Battery, AVR, Load Level, Battery Level)		
Audible Alarms	On Battery, Low Battery, Overload		
<b>Environmental</b>			
Operating Temperature	32°F to 104°F ( 0°C to 40°C)		
Operating Relative Humidity	0 to 95% Non-Condensing		
<b>Communication</b>			
PowerPanel® Business Edition Software	Windows 98/ME/NT/2000/XP, Vista		
<b>Management</b>			
Self -Test	Manual Self-Test		
Auto-Charger /Auto-Restart	Yes		
COM Interface	True RS232 x 1+ Contact Closure x 1		
Built- in USB interface	Yes		
SNMP/HTTP Networking	Optional		

## TROUBLE SHOOTING

Problem	Possible Cause	Solution
Outlet does not provide power to equipment	Circuit breaker has tripped due to an overload.	Turn the UPS off and unplug at least one piece of equipment. Wait 10 seconds, reset the circuit breaker and then turn the UPS on.
	Batteries are discharged	Recharge the unit for at least 4 hours
	Unit has been damaged by a surge or spike.	Contact CyberPower Systems about replacement batteries at <a href="mailto:service@cyberpower-eu.com">service@cyberpower-eu.com</a>
	Uncritical outlets have turned off automatically due to an overload.	Push the toggle button to make the uncritical outlets turn on.
The UPS does not perform expected runtime.	Batteries are not fully charged.	Recharge the batteries by leaving the UPS plugged in.
	Batteries are degraded	Contact CyberPower Systems about replacement batteries at <a href="mailto:service@cyberpower-eu.com">service@cyberpower-eu.com</a>
The UPS will not turn on.	The on/off switch is designed to prevent damage by rapidly turning it off and on.	Turn the UPS off. Wait 10 seconds and then turn the UPS on.
	The unit is not connected to an AC outlet.	The unit must be connected to a 220/230/240v outlet.
	The batteries have degraded.	Contact CyberPower Systems about replacement batteries at <a href="mailto:service@cyberpower-eu.com">service@cyberpower-eu.com</a>
	Mechanical problem.	Contact CyberPower Systems at <a href="mailto:service@cyberpower-eu.com">service@cyberpower-eu.com</a>
PowerPanel® Personal Edition is inactive.	The serial cable or USB cable is not connected.	Connect the cable to the UPS unit. You must use the cable that came with the unit.
	The cable is connected to the wrong port.	Try another port of your computer.
	The unit is not providing power of batteries.	Shutdown your computer and turn the UPS off. Wait 10 seconds and turn the UPS back on. This should reset the unit.
	The serial cable is not the cable that was provided with the unit.	You must use the cable included with the unit for the Software.

For more information, visit [eu.cyberpowersystems.com](http://eu.cyberpowersystems.com) or contact.

**CyberPower Systems B.V.**

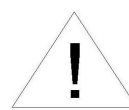
Flight Forum 3545 5657DW Eindhoven The Netherlands  
Tel: +31 40 2348170, E-MAIL: [sales@cyberpower-eu.com](mailto:sales@cyberpower-eu.com)

**CyberPower Systems Inc. (USA)**

4241 12th Avenue East, Suite 400, Shakopee, MN 55379, U.S.A.

Tel: +1 952 4039500, Fax: +1 952 4030009, E-MAIL: [sales@cyberpowersystems.com](mailto:sales@cyberpowersystems.com)

Entire contents copyright ©2009 CyberPower Systems B.V., All rights reserved. Reproduction in whole or in part without permission is prohibited. PowerPanel® and PowerPanel® Plus are trademarks of CyberPower Systems (USA) Inc.





# **Manual de usuario**

**Professional Rack Mount LCD Series**

**PR1000ELCDRTL2U/PR1500ELCDRTL2U/  
PR2200ELCDRTL2U**

## INSTRUCCIONES IMPORTANTES DE SEGURIDAD

Este manual contiene instrucciones importantes que deben respetarse durante la instalación y el mantenimiento del SAI y las baterías. Por favor, lea y respete las instrucciones siguientes durante la instalación y el uso de la unidad. Lea completamente este manual antes de intentar desembalar, instalar o utilizar el equipo.

**¡PRECAUCIÓN!** El SAI debe conectarse a una toma de suministro eléctrico AC conectada a masa protegida por un fusible o interruptor de circuito. NO enchufe el SAI a una toma que no se encuentre conectada a masa. Si necesita desactivar por completo el sistema SAI, apáguelo y desenchúfelo de la toma de suministro eléctrico.

**¡PRECAUCIÓN!** ¡NO UTILICE EL SAI CON IMPRESORAS LÁSER! Los requisitos de alimentación de las impresoras láser son demasiado altos para un SAI.

**¡PRECAUCIÓN!** La batería podría mantener activos determinados componentes en el interior de la unidad, incluso aunque se haya desconectado la alimentación AC.

**¡PRECAUCIÓN!** Para evitar el riesgo de incendio o descarga eléctrica, instale el equipo en una zona interior con niveles controlados de humedad y temperatura, y libre de contaminantes conductores. (Consulte las especificaciones para conocer los límites admisibles de temperatura y humedad).

**¡PRECAUCIÓN!** Con el fin de reducir el riesgo de descarga eléctrica, no retire la cubierta, excepto para realizar operaciones de mantenimiento sobre la batería. El equipo no contiene componentes que el usuario pueda reparar.

**¡PRECAUCIÓN!** Para evitar descargas eléctricas, apague la unidad y desenchúfela de la fuente de alimentación AC antes de realizar operaciones de mantenimiento sobre la batería o instalar un componente informático.

**¡PRECAUCIÓN!** Para reducir el riesgo de incendio, conecte el sistema SAI a un circuito con protección contra sobrecarga de corriente con un límite máximo de 16 amperios, de acuerdo con los requisitos de la CE.

**¡PRECAUCIÓN!** La toma de suministro eléctrico AC a la que se encuentra conectado el sistema SAI deberá encontrarse cerca de la unidad y ser fácilmente accesible.

**¡PRECAUCIÓN!** Utilice únicamente cables de alimentación eléctrica con homologación VDE y que ostenten la marca CE (por ejemplo, el cable de alimentación de su equipo) para conectar el sistema SAI a la toma de suministro eléctrico AC.

**¡PRECAUCIÓN!** Utilice únicamente cables de alimentación con homologación VDE y que ostenten la marca CE para conectar cualquier equipo al sistema SAI.

**¡PRECAUCIÓN!** Durante la instalación del equipo, asegúrese de que la suma de las corrientes de fuga del sistema SAI y los equipos conectados no supere los 3,5 mA.

**¡PRECAUCIÓN!** Este es un equipo de conexión permanente y únicamente se permite su instalación a personal de mantenimiento cualificado.

**¡PRECAUCIÓN!** No desenchufe la unidad de la toma de suministro eléctrico AC durante su funcionamiento. Dicha acción invalidará el aislamiento de masa protectora.

**¡PRECAUCIÓN! ¡NO UTILIZAR CON DISPOSITIVOS MÉDICOS O DE SUPERVIVENCIA!** NO utilice el equipo en circunstancias en las que pudiera resultar afectado el funcionamiento de un equipo de seguridad o supervivencia, ni tampoco conectado a aplicaciones médicas o de asistencia a pacientes.

**¡PRECAUCIÓN! ¡NO ENCHUFE ACUARIOS A LA UNIDAD NI LA UTILICE CERCA DE ELLOS!** Con el fin de reducir el riesgo de incendio, no enchufe acuarios a la unidad ni la utilice cerca de ellos. La condensación del acuario podría entrar en contacto con los contactos eléctricos metálicos del SAI y provocar un cortocircuito en la máquina.

## INSTRUCCIONES IMPORTANTES DE SEGURIDAD

**¡PRECAUCIÓN! ¡NO UTILICE EL SAI CON IMPRESORAS LÁSER!** Los requisitos de alimentación de las impresoras láser son demasiado altos para un SAI.

**¡NO INSTALE EL SISTEMA SAI EN LUGARES EN LOS QUE PUDIERA QUEDAR EXPUESTO A LA LUZ SOLAR DIRECTA O CERCA DE UNA FUENTE DE CALOR INTENSO!**

**¡NO BLOQUEE LOS ORIFICIOS DE VENTILACIÓN SITUADOS ALREDEDOR DE LA CARCASA!  
NO CONECTE APARATOS DOMÉSTICOS, COMO SECADORES DE PELO, A LAS TOMAS DE SALIDA DEL SISTEMA SAI.**

## INSTALAR SU SISTEMA SAI

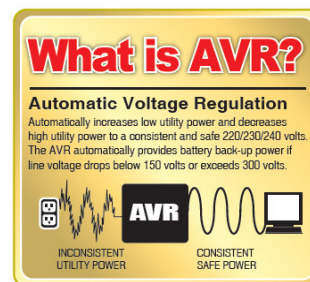
### DESEMBALAJE

La caja debe contener los siguientes artículos:

(1) Unidad de sistema SAI x 1; (2) Manual de usuario x 1; (3) Línea telefónica x 1; (4) CD con la aplicación PowerPanel® Business Edition x 1; (5) Cable de tipo USB A+B x 1; (6) Abrazaderas de montaje en bastidor x 2; (7) Raíles x 2; (8) Cable de apagado de emergencia (gris) x 1; (9) Cable de interfaz serie (DB-9) x 2; (10) Cable de alimentación x 4 (cable de alimentación x 6 en el caso del modelo PR2200ELCDRTXL2U)

### REGULADOR AUTOMÁTICO DE VOLTAJE (AVR)

El equipo PR1000ELCDRTXL2U/PR1500ELCDRTXL2U/PR2200ELCDRTXL2U puede estabilizar el nivel de voltaje de la red eléctrica. El voltaje de la red eléctrica podría resultar perjudicial para los datos y el hardware de carácter crítico. Sin embargo, el regulador automático de voltaje evita que lleguen al equipo los niveles peligrosos de voltaje. El regulador automático de voltaje nivela automáticamente los niveles altos o bajos de voltaje para mantener el equipo en funcionamiento a un nivel de alimentación AC seguro (220 / 230 / 240 V), sin necesidad de conmutar a la alimentación de la batería. Su equipo continuará funcionando normalmente incluso si se enfrenta a problemas con el suministro eléctrico, como caídas de tensión o apagones. Las potentes baterías selladas de plomo y ácido con las que cuenta la unidad actuarán únicamente si el voltaje de entrada cae por debajo de 150 V o aumenta por encima de 300 V.



## GUÍA DE INSTALACIÓN DEL HARDWARE

1. Podría producirse una pérdida de carga de la batería durante el transporte y el almacenamiento de la unidad. Si es la primera vez que utiliza el sistema SAI, se recomienda encarecidamente cargar las baterías durante al menos ocho horas para garantizar que disfruten de su máxima capacidad de carga. Para recargar las baterías, tan sólo necesitará conectar el enchufe del sistema SAI a la toma de suministro eléctrico AC.

2. Durante el uso de la aplicación suministrada, conecte el cable serie o USB entre el equipo y el puerto correspondiente del sistema SAI. Nota: Si se utiliza el puerto USB, el puerto serie se deshabilitará. Su uso simultáneo no es posible. El equipo en el que se encuentra instalada la aplicación PowerPanel® Business Edition debe conectarse al puerto serie o USB del sistema SAI. Ello le permitirá controlar el programa de funcionamiento, las pruebas de la batería, las tomas de salida, etc. y obtener información acerca del estado del sistema SAI. Sin embargo, si existen otros equipos con la aplicación PowerPanel® Business Edition instalada, únicamente podrán obtener información acerca del estado del sistema SAI a través de una conexión de red LAN.

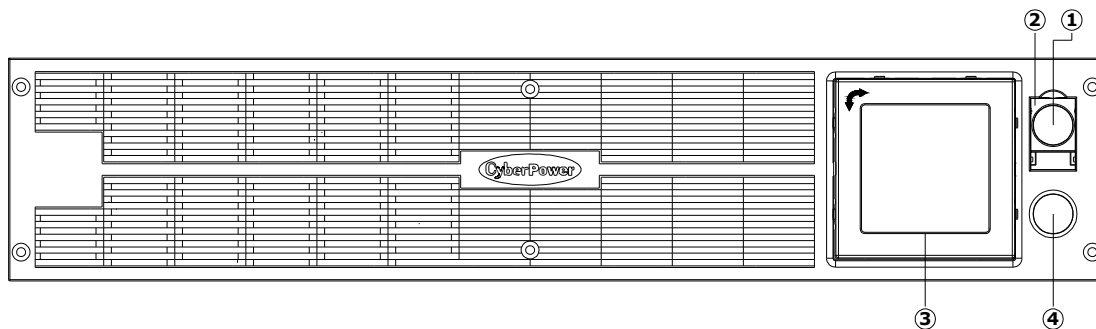
3. Con el equipo SAI apagado y desenchufado, conecte su equipo, monitor y cualquier dispositivo de almacenamiento de datos que requiera alimentación externa (disco duro, unidad de cinta, etc.) a las tomas de alimentación a batería. NO enchufe una impresora láser, copiadora, calefactor, aspirador, trituradora de papel u otro dispositivo eléctrico de gran tamaño al SAI. Los requisitos de alimentación de este tipo de dispositivos podrían sobrecargar y dañar el equipo.

## GUÍA DE INSTALACIÓN DEL HARDWARE

4. Para proteger un fax, un teléfono, una línea de módem o un cable de red, conecte un cable telefónico o de red entre la toma de pared y el conector IN del SAI. Conecte entonces un cable telefónico o de red entre el conector OUT del SAI y el módem, PC, teléfono, fax o dispositivo de red.
5. Pulse el interruptor de encendido para encender el sistema SAI. Se iluminará entonces el indicador luminoso de Encendido. Si se detecta una sobrecarga, sonará una alarma y el sistema SAI emitirá un sonido largo. Para restaurarlo, apague la unidad y desenchufe algunos equipos de las tomas. Asegúrese de que su equipo transporta una corriente de carga que se encuentre dentro del rango seguro de la unidad (consulte las especificaciones técnicas) y vuelva a encenderla.
6. Su SAI se encuentra equipado con una función de carga automática. Si se enchufa el SAI a una toma AC, la batería se recargará automáticamente.
7. Para conservar el nivel de carga óptimo en la batería, mantenga el SAI enchufado a una toma AC en todo momento.
8. Antes de almacenar el sistema SAI durante un periodo prolongado de tiempo, APÁGUELO. A continuación, cúbralo y almacénelo con las baterías completamente cargadas. Recargue las baterías aproximadamente cada tres meses con el fin de garantizar su óptima capacidad y prolongar su vida útil; ello, además, le permitirá evitar posibles daños en la unidad en el caso improbable de una fuga de batería.
9. La unidad contiene un Puerto serie principal (I), un Puerto serie secundario (II) y un Puerto USB (asociado al Puerto serie principal) que permiten la conexión y comunicación entre la unidad y los equipos conectados. El Puerto serie principal (I), al igual que su Puerto USB asociado, permiten la comunicación bidireccional entre el sistema SAI y el equipo principal conectado en el que se encuentra instalada la aplicación PowerPanel® Business Edition. El sistema SAI puede controlar el apagado del equipo en caso de emergencia y, al mismo tiempo, el equipo puede controlar el sistema SAI para modificar la configuración de sus distintos parámetros programables. Por otra parte, el Puerto serie secundario (II) únicamente permite al sistema SAI iniciar el apagado correcto del equipo en caso de emergencia.
10. Puerto EPO (apagado de emergencia):  
Utilice el cable gris suministrado para conectar la unidad a un interruptor de contacto especial de tipo EPO. Consulte a continuación el diagrama de circuito correspondiente para conectar el cable a su configuración EPO. El interruptor remoto EPO es un interruptor que se instala en un área exterior y se conecta a la unidad por medio de una línea telefónica RJ-11 común. En caso de emergencia, se puede utilizar para desactivar inmediatamente la alimentación de la unidad de sistema SAI.



## FUNCIONAMIENTO BÁSICO



### **DESCRIPTION**

#### **1. Interruptor de encendido**

Se utiliza como interruptor de encendido / apagado principal del equipamiento conectado a las tomas de alimentación a batería.

#### **2. Indicador de encendido**

Este indicador confirma que el estado del suministro eléctrico AC de entrada es normal y que las tomas del SAI están suministrando energía, libres de sobrecargas o picos de tensión.

#### **3. Pantalla LCD multifunction**

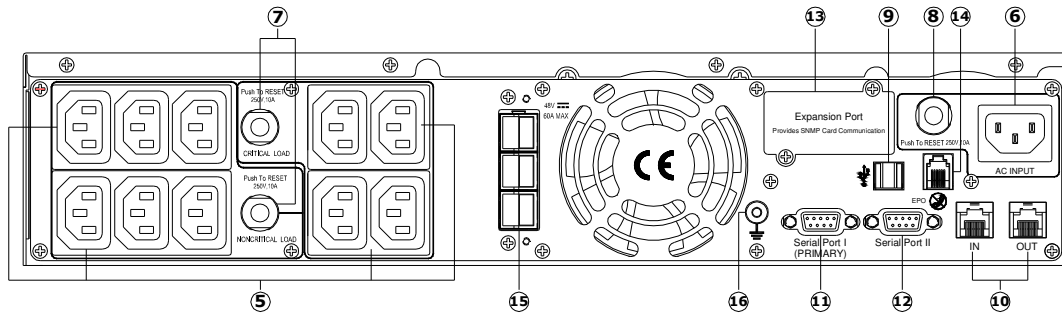
La pantalla LCD inteligente de alta resolución muestra toda la información del SAI por medio de iconos y mensajes. Si desea obtener más información, consulte la sección "Definición de los indicadores LCD luminosos".

#### **4. Botón de conmutación de la pantalla LCD**

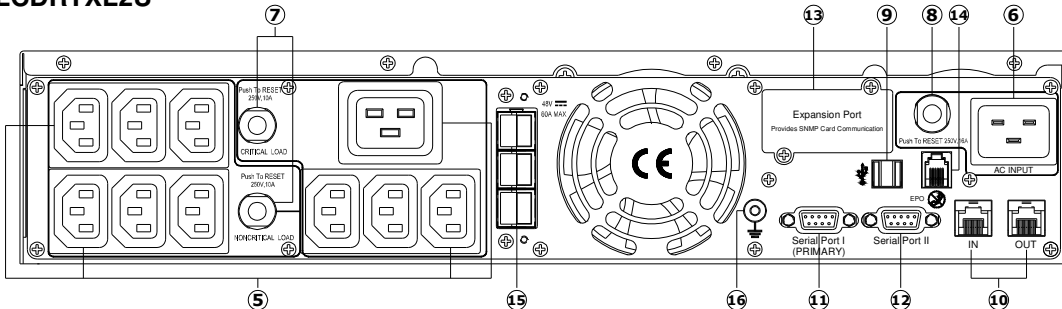
Utilice este botón para seleccionar la información que desee que muestre la pantalla LCD.

# FUNCIONAMIENTO BÁSICO

## PR1000ELCDRTXL2U/PR1500ELCDRTXL2U



## PR2200ELCDRTXL2U



### 5. Tomas con respaldo de batería, protección contra sobrecargas de tensión y protección AVR

Esta unidad contiene un total de diez tomas con batería de reserva y protección contra sobrecargas de tensión. Dichas tomas garantizan que los equipos conectados continuarán funcionando durante cierto periodo de tiempo si se produce un fallo en el suministro eléctrico.

#### Crítico / No crítico

Es posible programar la unidad de forma que el bloque marcado con las palabras “non-Critical” (6 puertos) detenga el suministro de alimentación a los equipos conectados después de un cierto periodo de tiempo, permitiendo a los que se encuentran conectados a las tomas marcadas con la palabra “Critical” (4 puertos) funcionar durante más tiempo. En otras palabras, el usuario puede definir una prioridad de funcionamiento para determinados equipos conectados, maximizando así su “disponibilidad” durante un fallo prolongado en el suministro eléctrico. Para configurar este tipo de control, utilice la aplicación PowerPanel® Business Edition.

### 6. Entrada de AC

Conecte el cable de alimentación AC a una toma correctamente cableada y conectada a masa.

### 7. Interruptor de circuito de salida

El interruptor de circuito ofrece protección frente a sobrecargas de salida y averías.

### 8. Interruptor de circuito de entrada

El interruptor de circuito ofrece protección frente a sobrecargas de entrada y averías.

### 9. Puerto USB de conexión al equipo

Este es un puerto de conectividad que permite la comunicación y el control entre el sistema SAI y el equipo conectado. Deberá instalar en su equipo la aplicación PowerPanel® Business Edition correspondiente al sistema operativo que está utilizando.

### 10. Puertos de comunicación con protección contra sobrecarga - RJ11 / RJ45

Estos puertos se utilizan para proteger a los sistemas conectados por cable de tipo RJ-45 / RJ-11 (ADSL, red LAN, líneas telefónicas / módem) frente a distintas condiciones de sobrecarga.

## FUNCIONAMIENTO BÁSICO

### 11. Puerto serie I (principal)

El Puerto serie I permite la comunicación bidireccional entre el sistema SAI y el equipo. El sistema SAI puede controlar el apagado del equipo en caso de emergencia y, al mismo tiempo, el equipo puede controlar el sistema SAI para modificar la configuración de sus distintos parámetros programables.

### 12. Puerto serie II (secundario)

El Puerto serie II permite al sistema SAI iniciar el apagado correcto del equipo en caso de emergencia.

### 13. Puerto de expansión

Permite a los usuarios añadir una tarjeta SNMP opcional.

### 14. Puerto EPO (apagado de emergencia)

En caso de emergencia, se puede utilizar para desactivar inmediatamente la alimentación de la unidad de sistema SAI.

### 15. Conector de batería externa

Permite conectar baterías externas CyberPower a fin de prolongar el tiempo de funcionamiento.

## SUSTITUCIÓN DE LA BATERÍA

Lea y respete las INSTRUCCIONES IMPORTANTES DE SEGURIDAD antes de sustituir la batería.

La reparación de las baterías deberá ser llevada a cabo únicamente por profesionales. Póngase en contacto con su distribuidor o envíe un mensaje de correo electrónico a la dirección: [service@cyberpower-eu.com](mailto:service@cyberpower-eu.com). Mencione el número de la batería de sustitución, (RBP852), para los modelos PR1000ELCDRTXL2U y PR1500ELCDRTXL2U/PR2200ELCDRTXL2U.

**¡PRECAUCIÓN!** Utilice únicamente el tipo de batería especificado. **HR9-12FR(BB)** para los modelos PR1000ELCDRTXL2U/PR1500ELCDRTXL2U/PR2200ELCDRTXL2U. Consulte con su distribuidor si necesita una batería de sustitución.

**¡PRECAUCIÓN!** La batería podría exponerle a un riesgo de descarga eléctrica. No arroje las baterías al fuego, podrían explotar. Respete todas las ordenanzas municipales en relación con la correcta eliminación de las baterías.

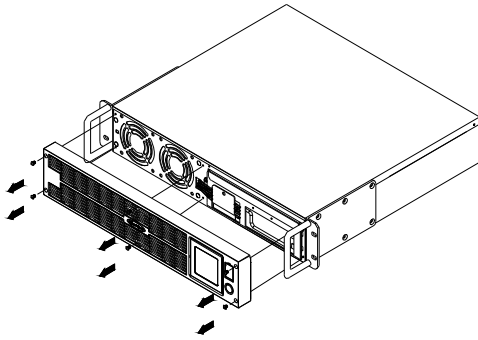
**¡PRECAUCIÓN!** No abra ni deforme las baterías. El electrolito liberado es perjudicial para la piel y los ojos y podría resultar tóxico.

**¡PRECAUCIÓN!** Una batería podría exponerle a un riesgo de descarga eléctrica o cortocircuito. Tome las siguientes medidas de precaución antes de sustituir la batería:

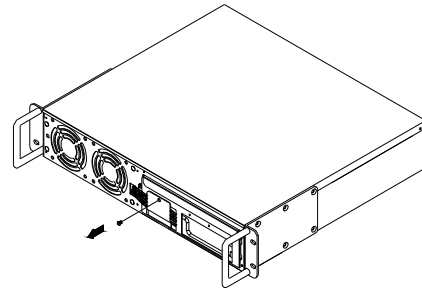
1. Despréndase de relojes, anillos y demás objetos metálicos.
2. Utilice únicamente herramientas con mangos aislados.
3. NO deposite herramientas u otras piezas metálicas sobre la batería o sus terminales.
4. Utilice guantes de goma y botas de caucho.
5. Determine si la batería se ha conectado accidentalmente a masa. Si ha sido así, desconecte la fuente de masa. **¡PRECAUCIÓN!** ¡EL CONTACTO CON UNA BATERÍA CONECTADA A MASA PUEDE PROVOCAR UNA DESCARGA ELÉCTRICA! El riesgo de ocurrencia de una descarga de este tipo puede reducirse si se desconectan dichas masas durante las operaciones de instalación y mantenimiento (aplicable a un sistema SAI y una fuente de batería remota que no esté equipada con un circuito conectado a masa).

## SUSTITUCIÓN DE LA BATERÍA

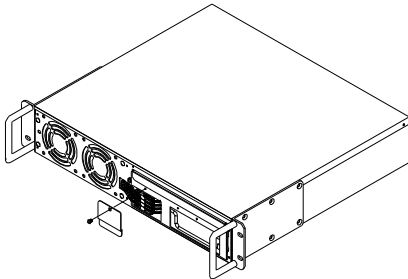
### PROCEDIMIENTO DE SUSTITUCIÓN DE LA BATERÍA:



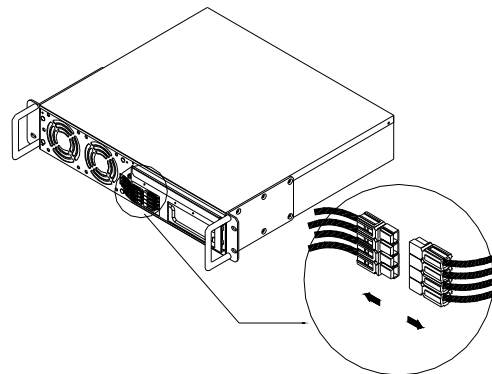
1. Extraiga el panel frontal del lado derecho.



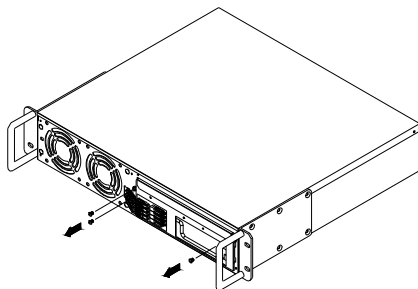
2. Extraiga los dos tornillos de retención de la cubierta de protección del cable y, a continuación, extraiga la cubierta.



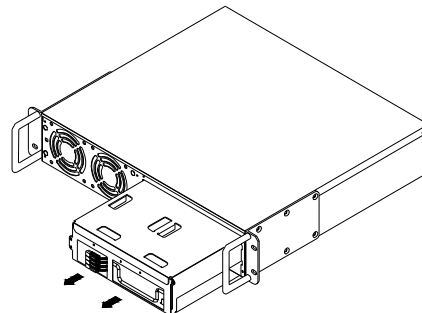
3. Extraiga uno tornillos de sujeción de los conectores de cable.



4. Desconecte los cables negro y rojo de la batería.



5. Extraiga los tres tornillos de sujeción.



6. Instale la batería nueva en el compartimento. Apriete los tornillos y vuelva a colocar la cubierta de protección del cable y el panel frontal. Recargue la unidad durante 8 horas para asegurarse de que el sistema SAI proporciona energía durante el tiempo de funcionamiento esperado.

**¡RECUERDE!** Las baterías usadas son residuos de tipo peligroso y deben eliminarse por medio de reciclado. La mayoría de los minoristas que venden baterías de plomo y ácido recogen baterías usadas para su reciclaje, de acuerdo con las normas locales.

## DEFINICIÓN DE LOS INDICADORES LCD LUMINOSOS

**1. Voltímetro de entrada:** Este medidor mide el voltaje AC procedente de la toma de suministro eléctrico. La lectura del voltaje de ENTRADA se utiliza para identificar la información de voltaje de entrada. Al conectar el sistema SAI a cualquier equipo, el AVR puede proporcionar energía estable a 220 / 230 / 240 V. En el caso de que se produzca una pérdida completa de energía, una caída severa o una sobrecarga de tensión, el sistema SAI utilizará su batería interna para continuar suministrando una salida constante de 220 / 230 / 240 V.

**2. Voltímetro de salida:** Este medidor mide el voltaje de salida proporcionado por el sistema SAI.

**3. Tiempo de funcionamiento estimado:** Este indicador muestra el tiempo de funcionamiento estimado del sistema SAI en función de la carga actual. Si se acorta el tiempo de funcionamiento, la capacidad de la batería se reducirá (caerá la barra indicadora de capacidad de la batería).

**4. Icono normal:** Este icono se mantiene iluminado mientras que el sistema SAI funciona en condiciones normales.

**5. Icono de batería:** Si se produce una caída severa de tensión o un apagón, aparecerá este icono seguido de la activación de una alarma (dos sonidos cortos), lo cual indica que el sistema SAI está funcionando por medio de sus baterías internas. Una vez agotadas las baterías (después de un cierto periodo de tiempo), el sonido de la alarma será constante. Si llegase dicho punto y no se hubiese restaurado el suministro eléctrico, es recomendable guardar los archivos abiertos y apagar manualmente el equipo lo antes posible.

**6. Icono del regulador automático de voltaje (AVR):** Este icono aparece mientras la unidad se encuentra normalizando automáticamente los niveles altos o bajos de voltaje de la línea de entrada AC, sin que ello derive en el uso de las baterías.

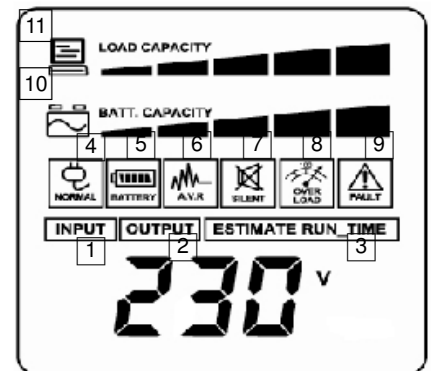
**7. Icono de modo silencioso:** Este icono aparece para indicar que el zumbador no emitirá ningún sonido si se activa el modo de batería hasta que el nivel de capacidad alcance un punto crítico.

**8. Icono de sobrecarga:** Este icono aparecerá seguido de la activación de una alarma si se produce una condición de sobrecarga. Para recuperar el sistema de la condición de sobrecarga, desenchufe sus equipos de las tomas del sistema SAI hasta que el icono desaparezca o la alarma se detenga.

**9. Icono de error:** Si se activa, este icono indica la existencia de un error de sistema. Por favor, consulte la tabla de resolución de problemas para conocer sus posibles causas y soluciones.

**10. CAPACIDAD DE BATERÍA:** La CAPACIDAD DE BATERÍA se muestra en forma de barra; cada segmento representa aproximadamente un 20 % de capacidad de la batería.

**11. CAPACIDAD DE CARGA:** La CAPACIDAD DE CARGA se muestra en forma de barra; cada segmento representa aproximadamente un 20 % de capacidad de la CARGA.



## DEFINICIÓN DE LOS INDICADORES LCD LUMINOSOS

### 1. Modo general:

a. Pulse el botón de “Conmutación de pantalla” para comprobar el estado del sistema SAI:

	<b>Elemento</b>	<b>Unidad</b>
1	Voltaje de entrada	V
2	Voltaje de salida	V
3	Frecuencia de salida	Hz
4	Carga	Kw
5	Tiempo de funcionamiento estimado	Min.
6	Capacidad de carga	%
7	Capacidad de la batería	%
8	Grados centígrados	°C
9	Grados Fahrenheit	°F

b. Mantenga pulsado el botón de “Conmutación de pantalla” durante 4 segundos, si la máquina está funcionando en el modo de batería y existe una alarma activa, la alarma se silenciará; si la máquina está funcionando en el modo de línea, se realizará una prueba de autodiagnóstico.

c. Si no se pulsa el botón “Conmutación de pantalla” durante 30 segundos, la iluminación de la pantalla LCD se apagará automáticamente.

### 2. Modo de configuración

**Paso 1:** Mantenga pulsado el botón de “Conmutación de pantalla” durante 10 segundos para acceder al modo de configuración del sistema SAI.

**Paso 2:** Pulse el botón de Conmutación de pantalla para alternar entre las funciones de configuración. A continuación se indican algunas de las funciones configurables por el usuario:

- Tiempo de retardo:** Es el tiempo que transcurre entre el paso del modo de batería al modo de línea. Existen 9 opciones diferentes. La opción predeterminada es 0 minutos.
- Números de batería:** Esta función proporciona el tiempo de funcionamiento estimado del sistema SAI basándose en los distintos números de baterías. La opción predeterminada es 0.
- Tolerancia de frecuencia estática:** Existen 4 opciones diferentes (1, 2, 4, 6 %). La opción predeterminada es +/- 6 %. Descripción funcional: Esta opción se puede ajustar a la calidad del sistema de suministro eléctrico en uso.
- Rapidez de respuesta:** Este parámetro se conoce también como Tolerancia de frecuencia dinámica. Existen 5 opciones diferentes (0.25, 0.5, 1, 2, 4 Hz/seg). El valor predeterminado es de 4 Hz/seg. Descripción funcional: La “Rapidez de respuesta” indica la tolerancia de un dispositivo a la hora de aceptar una variación de frecuencia. Una menor “Rapidez de respuesta” genera como resultado menos tolerancia pero una mayor protección de la carga conectada, y viceversa.
- Voltaje de apagado por nivel bajo de batería:** Esta función permite ajustar el punto de apagado del sistema SAI en función de la capacidad restante de la batería.

Dichas opciones programables se muestran en la siguiente tabla clasificadas por unidad:

<b>Elementos</b>	<b>Unidad</b>
Tiempo de retardo	Min.
Números de batería	A
Modo de voltaje (220/230/240)	V
Tolerancia de frecuencia estática	%
Rapidez de respuesta	Hz
Voltaje de apagado por nivel bajo de batería	V
Versión de firmware	Ninguna

## DEFINICIÓN DE LOS INDICADORES LCD LUMINOSOS

**Paso 3:** Mantenga pulsado el botón de Conmutación de pantalla durante 4 segundos. Cuando el icono comience a parpadear, el valor de cada elemento cambiará al pulsar brevemente el botón.

**Paso 4:** Para guardar el valor y volver al modo general, mantenga pulsado el botón durante 4 segundos.

**Nota:** Si el sistema SAI permanece inactivo durante más de 30 segundos durante la configuración, la iluminación se desactivará y el sistema volverá automáticamente al modo general.

**Nota:** Si el usuario no desea guardar la nueva configuración y volver al modo general, puede hacerlo de dos formas:

- (1) Esperando a que se desactive la iluminación, o
- (2) Manteniendo pulsado el botón de “Conmutación de pantalla” durante 10 segundos.

## TECNOLOGÍA GREENPOWER DE CYBERPOWER PARA SISTEMAS SAI

El diseño de circuito GreenPower de CyberPower es una solución a esta “pérdida de potencia”. Mientras que el suministro de energía funciona normalmente, nuestro SAI GreenPower funciona en modo de Derivación. Nuestro diseño GreenPower conduce energía únicamente a través del relé y proporciona un voltaje de salida normal. Derivando el transformador se reduce el consumo eléctrico, se aumenta la eficacia energética y se ahorra dinero. Si el suministro eléctrico se comporta de forma anormal, el SAI pasará al modo de Batería o AVR. En estas condiciones, un SAI GreenPower y un SAI convencional funcionarían prácticamente de la misma manera.



En promedio, el suministro eléctrico funciona correctamente el 88% del tiempo, durante el cual la tecnología GreenPower de CyberPower funcionará en modo de Derivación, ahorrando dinero y energía.

## TECHNICAL SPECIFICATIONS

Modelo	PR1000ELCDRTXL2U	PR1500ELCDRTXL2U	PR2200ELCDRTXL2U
Capacidad (VA)	1000VA/750W	1500VA/1125W	2200VA/1650W
<b>Entrada</b>			
Rango de voltaje de entrada	160Vac~290Vac		
Conexiones de entrada	IEC 320 C14	IEC 320 C20	
Rango de frecuencia	50/60Hz (Detección automática)		
<b>Salida</b>			
Voltaje de salida con la batería	230Vac +/- 5%		
Frecuencia de salida con la batería	50/60Hz +/- 0.1Hz		
Transferencia Tiempo	4ms Typical		
Protección contra sobrecargas	Con el servicio de energía eléctrica: Disyuntor - Con la batería: Limitación interna de corriente		
<b>Protección contra Oleadas y Filtración</b>			
Protección contra Relámpagos / Oleadas	Si		
Compatibilidad con Internet (protección de línea DSL / teléfono / FAX / módem)	RJ11/RJ45 (uno de entrada/uno de salida)		
<b>Físicas</b>			
Receptáculos de suministro	(10) IEC C13	(9) IEC C13, (1) IEC C19	
Dimensiones máximas	2U Rack, 43.3 x 8.8 x 48		
Peso (kg)	31.3	33.9	35
<b>Batería</b>			
Batería de ácido de plomo que no necesita mantenimiento	12V / 9.0AH x4		
Batería externa intercambiable en caliente	Si		
<b>Diagnóstico de advertencias</b>			
Indicadores	Encendido, Exhibición del LCD(uso de la batería, AVR, nivel de carga, nivel de batería)		
Alarmas sonoras	Modo con batería, Batería baja y Sobrecarga		
Temperatura de funcionamiento	+32°F to 104°F ( 0°C to 40°C )		
<b>Comunicación</b>			
Aplicación PowerPanel® Business Edition	Windows 98/ME/NT/2000/XP, Vista, Windows 7		
<b>Administración</b>			
Test automático	Prueba automática manual		
Cargador automático	Si		
Reinicio automático	Si		
Interfaz COM	RS232 nativo x 1 + Cierre de contacto x 1		
Interfaz USB integrada	Si		
Red SNMP/HTTP	Opcional		



## SOLUCIÓN DE PROBLEMAS

Problema	Posible causa	Solución
La toma no proporciona energía al equipo	El interruptor de circuito se ha disparado debido a una sobrecarga.	Apague el sistema SAI y desenchufe al menos uno de los equipos. Espere 10 segundos, restablezca el interruptor de circuito y vuelva a encender el sistema SAI.
	Las baterías están descargadas	Vuelva a cargar la unidad durante al menos 4 horas
	La unidad se encuentra dañada como resultado de una sobrecarga o pico de tensión.	Póngase en contacto con CyberPower Systems para solicitar baterías de sustitución a través de la dirección de correo electrónico <a href="mailto:service@cyberpower-eu.com">service@cyberpower-eu.com</a> .
	Las tomas de carácter no crítico se han apagado automáticamente como resultado de una sobrecarga.	Presione el botón de conmutación para volver a activar las tomas de carácter no crítico.
El sistema SAI no proporciona energía durante el tiempo de funcionamiento esperado.	Las baterías no se encuentran completamente cargadas.	Recargue las baterías dejando enchufado el sistema SAI.
	Las baterías se han deteriorado.	Póngase en contacto con CyberPower Systems para solicitar baterías de sustitución a través de la dirección de correo electrónico <a href="mailto:service@cyberpower-eu.com">service@cyberpower-eu.com</a> .
El sistema SAI no se enciende.	El interruptor de encendido/apagado ha sido diseñado para evitar los daños derivados de apagarlo y encenderlo rápidamente.	Apague el sistema SAI. Espere 10 segundos y vuelva a encender entonces el sistema SAI.
	La unidad no está conectada a una toma de suministro eléctrico AC.	La unidad debe conectarse a una toma de suministro eléctrico de 220/230/240 V.
	Las baterías se han deteriorado.	Póngase en contacto con CyberPower Systems para solicitar baterías de sustitución a través de la dirección de correo electrónico <a href="mailto:service@cyberpower-eu.com">service@cyberpower-eu.com</a> .
	Existe un problema mecánico.	Póngase en contacto con CyberPower Systems a través de la dirección de correo electrónico <a href="mailto:service@cyberpower-eu.com">service@cyberpower-eu.com</a> .
La aplicación PowerPanel® Personal Edition no se encuentra activa.	El cable serie o USB no se encuentra conectado.	Conecte el cable al sistema SAI. Debe utilizar el cable que se incluye con la unidad.
	El cable se encuentra conectado al puerto correcto.	Intente conectarlo a otro puerto de su equipo.
	La unidad no proporciona energía a través de las baterías.	Apague su equipo y el sistema SAI. Espere 10 segundos y vuelva a encender el sistema SAI. Dicha operación deberá restablecer la unidad.
	El cable serie que está utilizando no es el que se incluye con la unidad.	Debe utilizar el cable incluido con la unidad para utilizar la aplicación.

Para obtener más información, visite [www.cyberpower-eu.com](http://www.cyberpower-eu.com) o póngase en contacto con:

**CyberPower Systems B.V.**

Flight Forum 3545 5657DW Eindhoven, Países Bajos Teléfono: +31 40 2348170

Correo electrónico: [sales@cyberpower-eu.com](mailto:sales@cyberpower-eu.com)

Todo el contenido es copyright ©2009 de CyberPower Systems B.V. Todos los derechos reservados. Se encuentra prohibida la reproducción total o parcial sin autorización previa. PowerPanel® y PowerPanel® Plus son marcas registradas de CyberPower Systems (USA) Inc.



## **Manuel d'utilisation**

**Professional Rack Mount LCD Series  
PR1000ELCDRTXL2U/PR1500ELCDRTXL2U/  
PR2200ELCDRTXL2U**

## AVERTISSEMENTS DE SECURITE IMPORTANTS

Ce manuel contient d'importantes instructions de sécurité. Veuillez lire et suivre scrupuleusement toutes les instructions pendant l'installation et l'utilisation de l'appareil. Lisez ce manuel attentivement avant de déballer, d'installer ou d'utiliser votre UPS (système d'alimentation sans coupure).

**ATTENTION !** L'onduleur doit être branché sur une prise électrique CA reliée à la terre, avec une protection par fusible ou par coupe-circuit. NE PAS brancher l'onduleur sur une prise non reliée à la terre. Si vous avez besoin de vider l'énergie de cet équipement, éteignez et débranchez l'onduleur.

**ATTENTION !** La batterie peut mettre sous tension des composants dangereux à l'intérieur de l'unité, même lorsque l'entrée d'alimentation AC est déconnectée.

**ATTENTION !** L'onduleur doit être près de l'appareil connecté et facilement accessible.

**ATTENTION !** Pour éviter le risque d'incendie ou d'électrocution, installez dans un endroit, en intérieur, avec température et humidité contrôlées, et exempt de contaminations conductrices. (Veuillez consulter les spécifications pour connaître les plages acceptables pour la température et l'humidité).

**ATTENTION !** Pour réduire le risque d'électrocution, ne pas enlever le couvercle, sauf pour l'entretien de la batterie. Aucune pièce interne n'est réparable par l'utilisation, sauf la batterie.

**ATTENTION !** Pour éviter toute électrocution, éteignez l'appareil et débranchez de la source électrique CA avant toute maintenance de la batterie ou installation d'un composant informatique.

**ATTENTION !** Pour réduire les risques d'incendie, connecter l'onduleur à un circuit de 16 ampères de courant maximum de protection, conformément à l'exigence CE.

**ATTENTION !** La prise secteur, lorsque l'onduleur est connecté, doit être proche de l'appareil et facilement accessible.

**ATTENTION !** Veuillez utiliser uniquement du câble secteur testé VDE, marqué CE, (par exemple, le câble secteur de vos équipements), pour relier l'onduleur à la prise secteur.

**ATTENTION !** Please use only VDE-tested, CE-marked power cables to connect any equipment to the UPS.

**ATTENTION !** Veuillez utiliser uniquement du câble secteur testé VDE, marqué CE pour relier tout équipement à l'onduleur.

**ATTENTION !** Lors de l'installation de l'équipement, assurez-vous que la somme du courant de fuite de l'onduleur et de l'appareil relié ne dépasse pas 3,5 mA.

**ATTENTION !** Ne débranchez pas l'unité de l'alimentation secteur pendant qu'elle est en marche, sous peine d'invalider l'isolation de terre de protection.

**ATTENTION ! NE PAS UTILISER POUR DES EQUIPEMENTS MEDICAUX !** Ne pas utiliser dans des situations qui affecteraient le fonctionnement et la sécurité d'équipements et d'applications médicales ou la survie du patient.

**ATTENTION ! NE PAS UTILISER AVEC OU A PROXIMITE DES AQUARIUMS!** Pour réduire les risques d'incendie ou d'électrocution, n'utilisez pas l'UPS avec ou à proximité d'un aquarium. La condensation de l'aquarium peut court-circuiter l'appareil.

**NE PAS INSTALLER L'ONDULEUR LÀ OÙ IL SERAIT EXPOSÉ EN PLEIN SOLEIL, NI PRÈS D'UNE FORTE SOURCE DE CHALEUR!**

**NE PAS BLOQUER LES OUVERTURES D'AÉRATION AUTOUR DU BOÎTIER !**

**NE PAS BRANCHER DES APPAREILS MÉNAGERS TELS QUE DES SÈCHE-CHEVEUX SUR LES PRISES DE SORTIE DE L'ONDULEUR.**

## INSTALLATION DE VOTRE SYSTEME UPS

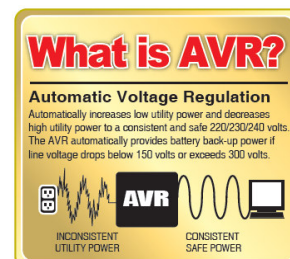
### **DEBALLAGE**

Inspectez l'UPS tout en consultant le bordereau d'expédition afin de vous assurer qu'aucune des pièces suivantes ne manque:

(1) 1 unité onduleur; (2) 1 manuel d'utilisation; (3) 1 ligne téléphone; (4) PowerPanel® 1 CD Logiciel Business Edition CD; (5) 1 câble USB de type A+B; (6) 2 supports de montage en rack; (7) 2 patins; (8) 1 câble d'arrêt d'urgence (gris); (9) 2 câble d'interface série (DB-9); (10) 4 cordons d'alimentation (6 cordons d'alimentation pour PR2200ELCDRTL2U)

### **RÉGULATEUR DE TENSION AUTOMATIQUE (AVR)**

Le PR1000ELCDRTL2U/PR1500ELCDRTL2U/PR2200ELCDRTL2U peut stabiliser les incohérences de l'alimentation. L'alimentation secteur pour endommager des données importantes et du matériel, mais la régulation de tension automatique de l'ordinateur permet à votre ordinateur de ne jamais voir de tels niveaux de tensions dangereuses. La régulation automatique de tension régule les basses et les hautes tensions pour que les équipements continuent de fonctionner à des niveaux de puissance secteur sûrs, (220/230/240V), sans avoir à basculer en mode batterie. Votre équipement peut fonctionner normalement, même pendant les problèmes d'alimentation, tels que les baisses de tension et les pannes. Les puissantes batteries averse-plomb hermétiques de l'appareil fournissent de la puissance uniquement si la baisse de tension descend en-dessous de 150V ou augmente au-dessus de 300V.



## GUIDE D'INSTALLATION DU MATERIEL

1. Une perte de charge de la batterie peut se produire pendant le transport et le stockage. Pour la première utilisation de l'onduleur, il est fortement recommandé de charger les batteries pendant au moins huit heures afin d'assurer la capacité de charge maximale des batteries. Pour recharger les batteries, il vous suffit de brancher l'appareil sur une prise secteur.
2. Lorsque vous utilisez le logiciel fourni, branchez le câble série ou USB entre l'ordinateur et le port correspondant sur l'onduleur. Remarque : Si le port USB est utilisé, le port série est désactivé. Ils ne peuvent pas être utilisés simultanément. L'ordinateur avec le logiciel PowerPanel® Business Edition se connecte sur le port USB ou sur le port série de l'onduleur. Il peut contrôler la planification du fonctionnement, le test de la batterie, la prise de courant, etc., et obtenir des informations sur l'état de l'onduleur. Toutefois, les autres ordinateurs avec le logiciel PowerPanel® Business Edition ne peut obtenir les informations d'état de l'onduleur que via une connexion LAN.
3. Avec l'UPS éteint et débranché, reliez votre ordinateur, moniteur, ainsi que tout autre appareil de stockage de la mémoire électrique (1 disque dur, de bande magnétique, etc.) dans les prises de sortie d'alimentation de la batterie. Branchez votre périphérique (imprimante, scanner, haut-parleurs) dans les prises de sortie de protection permanente contre la surtension. **NE BRANCHEZ PAS** une imprimante laser, une déchiqueteuse, une photocopieuse, un générateur, un aspirateur, une pompe de vidange ou d'autres gros appareils électriques dans "les prises de sortie protégés contre la surtension de la batterie". La consommation de courant de ces appareils entraînera la surcharge de et peut-être même endommagera l'UPS.
4. Pour protéger une connexion de réseau contre la surtension, reliez à l'aide d'un câble de réseau le connecteur mural au connecteur d'entrée de l'UPS. Reliez ensuite à l'aide d'un câble de réseau le connecteur de sortie de l'UPS à l'appareil de réseau.
5. Appuyez sur le bouton d'alimentation pour allumer l'onduleur. Le témoin de mise sous tension s'illumine. Si une surcharge est détectée, une alarme sonore retentit et l'onduleur émet un bip long. Pour le réinitialiser, mettez l'appareil hors tension et débranchez certains équipements des prises secteur. Assurez-vous que votre équipement véhicule un courant de charge dans les limites de sécurité de l'appareil, (se référer aux spécifications techniques), puis allumez l'appareil.
6. Afin que la charge de la batterie reste optimale, laissez l'UPS branché dans une prise CA en permanence.
7. Si vous souhaitez ranger l'UPS pour une période prolongée, recouvrez-le et placez-le avec la batterie entièrement chargée. Si vous n'utilisez pas l'UPS, rechargez la batterie une fois tous les trois mois car autrement sa durée de vie s'en trouverait réduite.

## GUIDE D'INSTALLATION DU MATERIEL

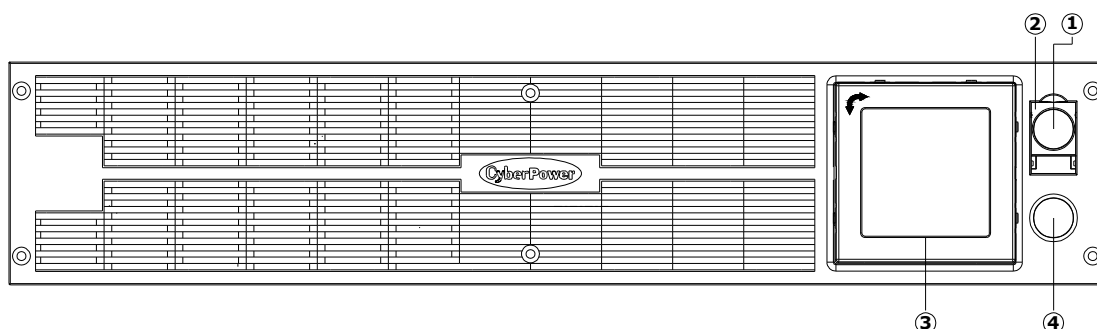
8. Avant de stocker l'onduleur pour une période de temps prolongée, éteignez l'appareil. Ensuite, couvrez-le et rangez-le avec les batteries complètement chargées. Rechargez les batteries tous les trois mois, afin d'assurer une bonne capacité de la batterie et une longue durée de vie des batteries ; de plus, ceci peut également éviter d'endommager l'unité en raison d'une fuite de batterie peu probable.

9. L'unité offre un port série primaire (I), un port série secondaire (II), et un port USB, (appairé avec le port série primaire), pour permettre la connexion et la communication entre l'onduleur et tout ordinateur connecté. Le port série primaire (I), ainsi que son port USB appairé permet la communication bidirectionnelle entre l'onduleur et le principal ordinateur connecté au logiciel permettre la connexion et la communication entre l'onduleur et tout ordinateur connecté fourni. L'onduleur permet de commande l'arrêt de l'ordinateur en cas d'urgence, et en même temps, l'ordinateur peut contrôler l'UPS et modifier les différents paramètres programmables. D'autre part, le port série secondaire II, permet uniquement à l'onduleur d'initier l'arrêt automatique de l'ordinateur en cas d'arrêt d'urgence.

10. Port EPO (Arrêt d'urgence) :

Utilisez le câble gris fourni pour le connecter à un commutateur à contact EPO spécial. Suivez le schéma de câblage approprié ci-dessous pour relier le câble à votre configuration EPO. Le commutateur EPO a distance est un interrupteur installé dans un espace extérieur, relié à l'unité via une simple ligne téléphonique RJ-11. En cas d'urgence, il peut être immédiatement utilisé pour couper l'alimentation de l'onduleur.

## OPERATIONS DE BASE



### **DESCRIPTION**

#### **1. Bouton marche/arrêt**

Sert de bouton marche/arrêt principal pour les appareils branchés aux prises d'alimentation de la batterie.

#### **2. Témoin de mise sous tension**

Indique que l'état d'alimentation secteur est normal et que les sorties de l'onduleur fournissent de la puissance, sans surtension et sans pointe.

#### **3. Lecture du LCD multifonction**

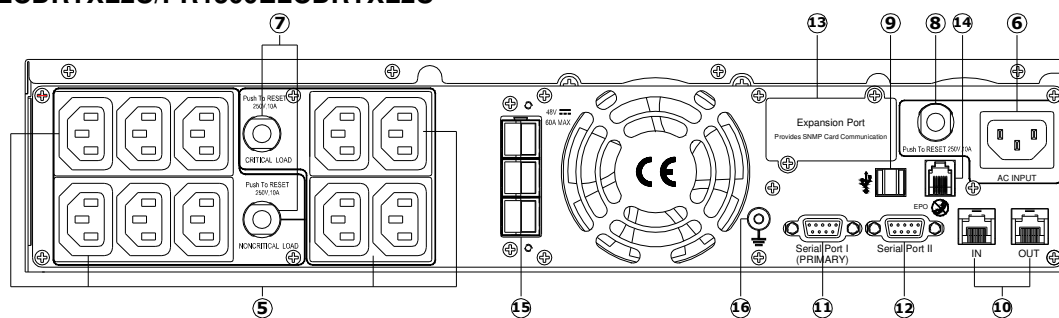
L'écran numérique intelligent de haute résolution affiche toutes les informations de l'UPS avec icônes et messages. Pour de plus amples informations veuillez consulter la section "Définitions des voyants allumés de l'écran numérique".

#### **4. Bouton de bascule de l'affichage LCD**

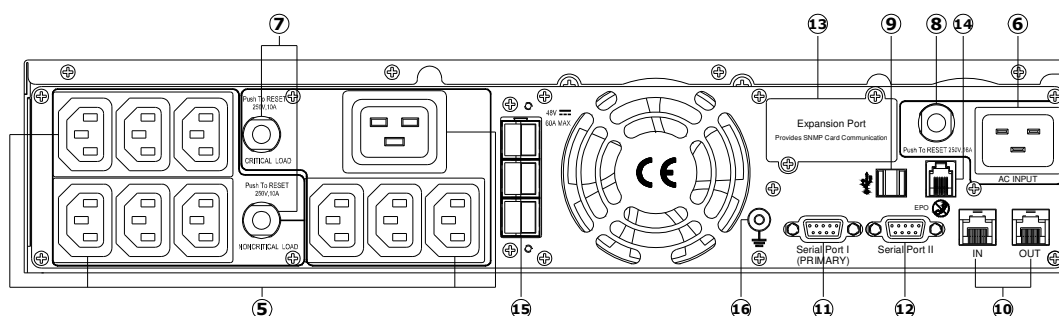
Permet de choisir parmi une variété d'informations que l'écran LCD peut afficher.

## OPERATIONS DE BASE

### PR1000ELCDRTL2U/PR1500ELCDRTL2U



### PR2200ELCDRTL2U



#### 5. Sortie à sauvegarde sur batterie, protégées contre les surtensions et protégées AVR

L'unité offre un total de dix prises avec sauvegarde sur batterie et protection contre les surtensions. Elles assurent que les équipements connectés ne cessent pas de fonctionner pendant une certaine durée, en cas de panne d'électricité.

##### Critique / non-critique

Il est possible de programmer l'appareil de sorte que le bloc de sortie marqué comme "non-critique", (6 ports), cesse de fournir de la puissance aux appareils reliés après une certaine durée, donnant ainsi plus d'autonomie pour les équipements connectés sur les sorties marquées comme "critiques", (4 ports). En d'autres termes, l'utilisateur peut établir la priorité de fonctionnement pour certains appareils connectés, ce qui optimise la "disponibilité", lors d'une panne de courant prolongée. Ce type de commande se fait via le logiciel PowerPanel® Business Edition fourni.

#### 6. Entrée AC

Connectez le câble d'alimentation pour fournir l'onduleur en courant électrique.

#### 7. Disjoncteur de sortie

Le disjoncteur sert à fournir une protection contre les surcharges et les pannes.

#### 8. Disjoncteur d'entrée

Le disjoncteur sert à fournir une protection de l'entrée contre les surcharges et les pannes.

#### 9. Port USB pour PC

Il s'agit d'un port de connexion permettant la communication et la commande entre l'onduleur et l'ordinateur relié. Vous devez installer sur votre ordinateur le logiciel PowerPanel® Business Edition approprié pour le système d'exploitation que vous utilisez.

#### 10. Ports de communication protégés contre les surtensions - RJ11/RJ45

Ces ports sont utilisés pour se protéger contre diverses situations de surtensions les systèmes de câbles RJ-45/RJ-11 standard, (ADSL, LAN, Lignes téléphone/modem).

#### 11. Port série I (primaire)

Le port série I permet la communication bidirectionnelle entre l'onduleur et l'ordinateur. L'onduleur permet de commander l'arrêt de l'ordinateur en cas d'urgence, et en même temps, l'ordinateur peut contrôler l'UPS et modifier les différents paramètres programmables.

## OPERATIONS DE BASE

### 12. Port série II (secondaire)

Le port série II permet à l'onduleur d'initier l'arrêt automatique de l'ordinateur connecté en cas d'urgence.

### 13. Port d'extension

Permet à l'utilisateur d'ajouter la carte SNMP optionnelle.

### 14. Port EPO (Arrêt d'urgence)

En cas d'urgence, il peut être immédiatement utilisé pour couper l'alimentation de l'onduleur.

### 15. Connecteur externe pour bloc piles

Permet le branchement d'un bloc piles CyberPower externe additionnel pour une autonomie étendue.

## REPLACEMENT DE LA BATTERIE

Lisez et suivez les IMPORTANTES INSTRUCTIONS DE SÉCURITÉ avant de toucher à la batterie.

Remplacez la batterie sous la supervision d'un personnel qualifié.

L'entretien de la batterie ne doit être effectué que par des professionnels. Veuillez contacter votre revendeur, ou envoyer un courriel à : [service@cyberpower-eu.com](mailto:service@cyberpower-eu.com). Notez la référence de remplacement de la batterie, (RBP852), en ce qui concerne les modèles PR1000ELCDRTXL2U/PR1500ELCDRTXL2U/PR2200ELCDRTXL2U.

**ATTENTION !** Utilisez uniquement le type de batterie spécifié: **HR9-12FR(BB)** pour PR1000ELCDRTXL2U/PR1500ELCDRTXL2U/PR2200ELCDRTXL2U. Contactez votre revendeur pour le remplacement des batteries.

**ATTENTION !** La batterie peut être la source de risques d'électrocution. Ne jetez pas la batterie dans un feu car elle peut exploser. Respectez les réglementations locales concernant l'élimination appropriée des batteries. Presque tous les revendeurs de batteries au plomb peuvent collecter les batteries usagées pour le recyclage, comme cela est requis par la loi de la plupart des états.

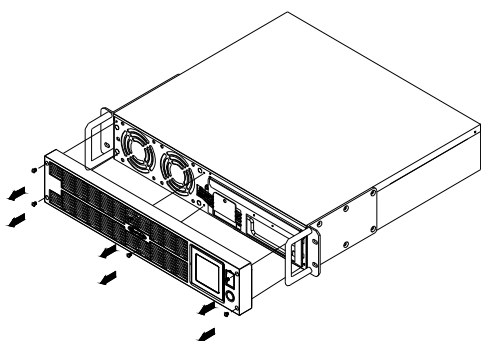
**ATTENTION !** N'ouvrez pas ni n'altérez les batteries. L'électrolyte contenu dedans est nocif pour la peau et les yeux et peut être toxique.

**ATTENTION !** Une batterie peut présenter un risque élevé de court-circuit et d'électrocution. Prenez les précautions suivantes avant de remplacer la batterie:

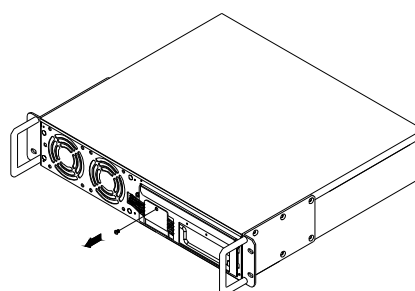
1. Retirez les montres, bagues ou autres objets métalliques.
2. Utilisez uniquement des outils avec des poignées isolantes.
3. Ne posez pas les outils ou des pièces en métal sur la batterie ou sur ses pôles.
4. Portez des gants et des bottes en caoutchouc.
5. Vérifiez que la batterie ne soit pas mise à la terre par inadvertance. Si elle est mise à la terre, retirez la source de terre. LE CONTACT AVEC UNE BATTERIE MISE A LA TERRE PEUT ENTRAINER UNE ELECTROCUTION !

## REEMPLACEMENT DE LA BATTERIE

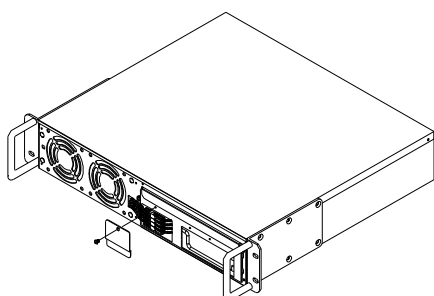
### POUR REMPLACER LA BATTERIE:



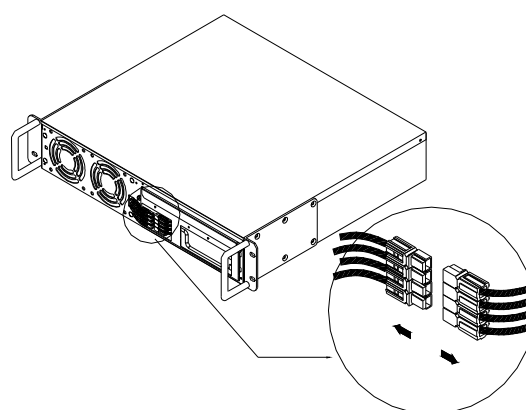
1. Enlever le panneau avant sur le côté droit.



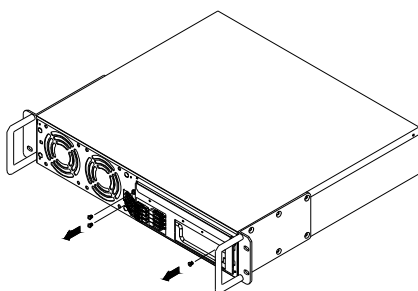
2. Enlever les deux vis de retenue du capot du câble de protection, puis enlever le capot lui même.



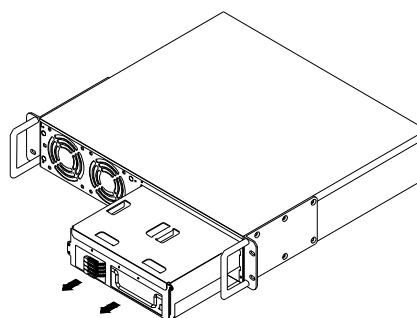
3. Enlever les deux vis de retenue et les connecteurs des câbles.



4. Débrancher les fils noir et rouge de la batterie.



5. Enlever les trois vis de retenue.



6. Mettre les nouveaux blocs batteries dans le logement. Serrer les vis et remettre en place le capot de protection du câble et le panneau avant. Recharger l'unité pendant au moins 8 heures pour s'assurer que l'onduleur fonctionne avec l'autonomie attendue.

**RAPPEL !** Les batteries usagées sont des déchets dangereux et doivent être éliminées par recyclage. La plupart des détaillants qui vendent des batteries acide-plomb collectent les batteries usagées pour le recyclage, tel que cela est demandé par les réglementations locales.



## DEFINITIONS DES VOYANTS DE L'ECRAN NUMERIQUE

**1. Mesure de la tension d'entrée :** Cet instrument mesure la tension secteur de la prise murale. La mesure de tension d'ENTRÉE sert à identifier les informations sur la tension d'entrée. Lorsque l'onduleur se connecte à tout équipement, l'AVR peut fournir une puissance de sortie stable sous 220/230/240V. Dans le cas d'une perte de puissance, d'une forte baisse, ou d'une surtension, l'onduleur s'appuie sur sa batterie interne pour maintenir une sortie stable sous 220/230/240V.

**2. Mesure de la tension de sortie :** Cet appareil mesure la tension de sortie de l'onduleur.

**3. Autonomie estimée :** Ceci affiche l'estimation de l'autonomie de l'onduleur sur la base de la charge en cours. Lorsque l'autonomie se réduit, la capacité de la batterie diminue ; (l'indicateur de capacité de la batterie chute).

**4. Icône normale :** Cette icône s'allume lorsque l'onduleur fonctionne dans des conditions normales.

**5. Icône de la batterie :** Quand il ya une sérieuse baisse ou une panne, cette icône apparaît suivie par une alarme, (deux bips courts), ce qui indique que l'onduleur utilise maintenant ses batteries internes. Une fois que les batteries sont à court de puissance, (sur une certaine durée), une alarme retentit. Si ceci se produit et que l'alimentation secteur n'a pas été rétablie, il est recommandé de sauvegarder vos fichiers et d'éteindre votre appareil manuellement dès que possible.

**6. Icône de régulation automatique de la tension (AVR) :** Cette icône apparaît lorsque l'appareil régule automatiquement l'état de tension de la ligne d'entrée secteur par le bas ou par le haut, sans provoquer l'utilisation de la batterie.

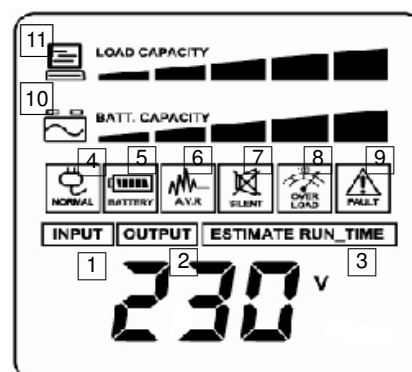
**7. Icône de mode silencieux :** Cette icône apparaît indique que le buzzer ne seront pas les bips en mode de fonctionnement des piles, jusqu'à une faible capacité de la batterie est atteinte.

**8. Icône de surcharge :** Cette icône apparaît suivie par une alarme indiquant qu'un état de surcharge a été atteint. Pour récupérer d'un état de surcharge, commencez à débrancher vos appareils des sorties de l'onduleur jusqu'à ce que l'icône disparaisse et que l'alarme s'arrête.

**9. Icône de panne :** Lorsqu'elle est activée, indique une erreur système. Veuillez vous référer au tableau de dépannage pour les causes et les solutions possibles.

**10. CAPACITÉ BATT.:** CAPACITÉ BATT. s'affiche sous forme d'histogramme; chaque segment indique environ 20% de capacité batterie.

**11. CAPACITÉ DE CHARGE:** CAPACITÉ DE CHARGE s'affiche sous forme d'histogramme; chaque segment indique environ 20% de capacité DE CHARGE.



## FONCTIONS DE CONFIGURATION LCD

### Mode général

a. Appuyez sur le bouton "Bascule affichage" pour vérifier l'état de l'onduleur :

	Élément	Unité
1	Tension d'entrée	V
2	Tension de sortie	V
3	Fréquence de sortie	Hz
4	Charge	Kw
5	Autonomie estimée	Min
6	Capacité de charge	%
7	Capacité de la batterie	%
8	Centigrade	°C
9	Fahrenheit	°F

b. Maintenez le bouton de bascule de l'affichage pendant 4 secondes,  
Si la machine est en mode Batterie avec l'alarme active, elle devient silencieuse;  
Si la machine est en mode Ligne, un test d'autodiagnostic se déclenche.

c. Si le bouton de bascule de l'affichage reste inactif pendant plus de 30 secondes, le rétroéclairage du LCD s'éteint automatiquement.

### Mode Configuration

**Étape 1 :** Maintenez enfoncé le bouton de bascule de l'affichage pendant 10 secondes pour entrer dans le mode de configuration de l'onduleur.

**Étape 2 :** En appuyant sur la bascule de l'affichage, l'utilisateur peut basculer entre les fonctions de configuration. Certaines fonctions sont configurables par l'utilisateur comme suit :

a. Durée du délai: Le délai de commutation pour le passage du mode batterie au mode ligne. Il existe 9 réglages différents. Le réglage par défaut est de 0 minute.

b. Numéros du bloc batterie: Cette fonction fournit l'autonomie estimée de l'onduleur à l'aide de différents chiffres des blocs batteries. Le réglage par défaut est 0.

c. Tolérance de fréquence statique: Il y a 4 réglages (1, 2, 4, 6 %), et le réglage par défaut est +/-6%. Description fonctionnelle : Le réglage peut être ajusté à la qualité de l'électricité utilisée.

d. Vitesse de montée : Aussi connu sous le nom de Tolérance de fréquence dynamique. Il y a 5 réglages différents (0,25, 0,5, 1, 2, 4 Hz/Sec). La valeur par défaut est 4Hz/sec. Description fonctionnelle : "Vitesse de montée" indique la tolérance d'un dispositif à accepter la variance de fréquence. Une "vitesse de montée" plus faible donne une tolérance moindre, mais une meilleure protection de la charge connectée et vice-versa.

e. Tension d'arrêt sur batterie faible : Cette fonction ajuste le point arrêt de l'onduleur en fonction de la capacité restante de la batterie.

Ces éléments programmables sont triés par l'unité comme dans le tableau suivant :

Éléments	Unité
Délai	Min
Numéros du bloc batterie	A
Mode de tension (220/230/240)	V
Tolérance de fréquence statique	%
Vitesse de montée	Hz
Tension d'arrêt sur batterie faible	V
Version de firmware	Aucune

## FONCTIONS DE CONFIGURATION LCD

**Étape 3** : Maintenez enfoncé le bouton de bascule de l'affichage pendant 4 secondes. Lorsque les icônes clignotent, la valeur de chaque élément se modifie en appuyant légèrement sur le bouton de bascule .

**Étape 4** : Pour enregistrer la valeur et retourner au mode général, appuyez sur le bouton de bascule pendant 4 secondes.

**Remarque !** Si l'onduleur reste inactif pendant plus de 30 secondes pendant l'installation, il désactive le rétroéclairage et retourne au mode général automatiquement.

**Remarque !** Si l'utilisateur ne veut pas enregistrer les nouveaux réglages et souhaite revenir au mode général, il existe deux méthodes :

- (1) Attendez que le rétroéclairage s'éteigne ou,
- (2) Maintenez le bouton de "bascule de l'affichage" enfoncé pendant 10 secondes.

## TECHNOLOGIE UPS CYBERPOWER GREENPOWER

La conception de circuit GreenPower de CyberPower propose une solution à cette « perte d'énergie ». Lorsque le courant électrique est normal, notre UPS GreenPower fonctionne en mode de Dérivation. L'UPS GreenPower conduit le courant uniquement à travers le relais tout en fournissant encore une tension de sortie normale. La dérivation par le transformateur réduit la consommation de courant, et permet ainsi d'économiser de l'énergie et de l'argent. Lorsque que le courant électrique est anormal, l'UPS fonctionnera en mode Batterie ou AVR. Dans ces conditions, l'UPS GreenPower fonctionnera à peu près de la même manière qu'un UPS traditionnel.

La technologie GreenPower de CyberPower fonctionnera en moyenne 88% du temps en Mode de Dérivation.



## SPECIFICATIONS TECHNIQUES

Modèle	PR1000ELCDRTXL2U	PR1500ELCDRTXL2U	PR2200ELCDRTXL2U
Puissance (VA/ Watts)	1000VA/750W	1500VA/1125W	2200VA/1650W
<b>Entrée</b>			
Connexions d'entrée	IEC 320 C14		IEC 320 C20
Tension d'entrée à l'appareil	160VAC~290VAC		
Fréquence d'entrée	50/60Hz +/- 3Hz (Auto Sensing)		
<b>Sortie</b>			
Tension de sortie à la batterie	230Vac +/-5%		
Fréquence de sortie à la batterie	50/60Hz +/- 0.1Hz		
Temps de transfert	4ms		
Protection contre les surcharges	Sur l'appareil : Coupe circuit, Sur la batterie : Limiteur de courant interne		
<b>Parasurtenseur</b>			
Lightning / Protection parafoudre	Oui		
Prêt pour Internet (Protection ADSL / Téléphone / FAX / Modem Protection)	RJ11/RJ45 (1 entrée / 1 sortie )		
<b>Physique</b>			
Prises de sortie	(10) IEC C13		(9) IEC C13, (1) IEC C19
Dimensions maximum (cm)	2U Rack, 43.3 x 8.8 x 48		
Poids (kg)	31.3	33.9	35
<b>Batterie</b>			
Batterie étanche à l'acide de plomb, sans maintenance	12V / 9.0AH x4		
Batterie externe échangeable à chaud	Oui		
<b>Diagnostics d'alertes</b>			
Témoins	Lecture du LCD multifonction (Utilisation de la batterie, AVR, niveau de charge, niveau de batterie)		
Alarmes audibles	Sur batterie, batterie faible, surcharg		
Température de fonctionnement	32°F to 104°F ( 0°C to 40°C)		
<b>Communication</b>			
Logiciel PowerPanel <sup>®</sup> Business Edition	Windows 98/ME/NT/2000/XP, Vista, Windows 7		
<b>Gestion</b>			
Auto Test	Autotest manuel		
Chargeur auto/ Redémarrage auto	Oui		
Interface COM	Vrai RS232 x 1+ Fermeture de contact x 1		
Interface USB intégrée	Oui		
Réseau SNMP / HTTP	En option		

## PROBLÈMES ET SOLUTIONS

Problème	Cause possible	Solution
La sortie ne délivre pas de puissance à l'équipement	Le disjoncteur a sauté en raison d'une surcharge.	Éteignez l'onduleur et débranchez au moins un équipement. Attendez 10 secondes, réenclenchez le disjoncteur puis allumez l'onduleur.
	Les batteries sont déchargées	Rechargez l'unité pendant au moins 4 heures
	L'unité a été endommagée par une surtension ou un pic.	Contactez CyberPower Systems pour le remplacement des batteries à <a href="mailto:service@cyberpower-eu.com">service@cyberpower-eu.com</a>
	Les sorties non critiques ont été éteintes automatiquement en raison d'une surcharge.	Appuyez sur le bouton de bascule pour allumer les sorties non critiques.
L'onduleur ne fonctionne pas pendant l'autonomie attendue.	Les batteries ne sont pas entièrement chargées.	Rechargez les batteries en laissant l'onduleur branché.
	Les batteries sont dégradées	Contactez CyberPower Systems pour le remplacement des batteries à <a href="mailto:service@cyberpower-eu.com">service@cyberpower-eu.com</a>
L'onduleur ne s'allume pas.	Le bouton marche/arrêt est destiné à prévenir les dommages dus à une mise hors et sous tension rapide.	Éteignez l'onduleur. Attendez 10 secondes, puis allumez l'onduleur.
	L'appareil n'est pas relié à une prise secteur.	L'appareil doit être connecté à une prise 220/230/240v.
	Les piles sont dégradées.	Contactez CyberPower Systems pour le remplacement des batteries à <a href="mailto:service@cyberpower-eu.com">service@cyberpower-eu.com</a>
	Problème mécanique.	Contactez CyberPower Systems à <a href="mailto:service@cyberpower-eu.com">service@cyberpower-eu.com</a>
PowerPanel® Personal Edition est inactif.	Le câble série ou le câble USB n'est pas connecté.	Branchez le câble sur l'onduleur. Vous devez utiliser le câble fourni avec l'appareil.
	Le câble est relié à un mauvais port.	Essayez un autre port de votre ordinateur.
	L'unité ne fournit pas de puissance des batteries.	Éteignez votre ordinateur et éteignez l'onduleur. Attendez 10 secondes et rallumez l'onduleur. Ceci devrait réinitialiser l'appareil.
	Le câble série n'est pas le câble qui a été fournie avec l'appareil.	Vous devez utiliser le câble fourni avec l'unité pour le logiciel.

Des informations complémentaires relatives aux Problèmes et Solutions se trouve dans la section "Support" du site [eu.cyberpowersystems.com](http://eu.cyberpowersystems.com)

Pour plus d'informations, visitez [eu.cyberpowersystems.com](http://eu.cyberpowersystems.com) ou contactez

**CyberPower Systems B.V.**

Flight Forum 3545 5657DW Eindhoven The Netherlands

Tel: +31 40 2348170, E-MAIL: [sales@cyberpower-eu.com](mailto:sales@cyberpower-eu.com)

Copyright contenu complet ©2009 CyberPower Systems B.V., Tous droits réservés. Reproduction en tout ou en partie interdite sans permission. PowerPanel® et PowerPanel® Plus sont des marques déposées de CyberPower Systems (USA) Inc.



# **Manuale utente**

**Professional Rack Mount LCD Series**

**PR1000ELCDRTL2U/PR1500ELCDRTL2U/  
PR2200ELCDRTL2U**

## ISTRUZIONI DI SICUREZZA IMPORTANTI

Il presente manuale contiene delle istruzioni importanti che devono essere osservate durante l'installazione e la manutenzione dell'alimentatore continuo di elettricità e delle batterie. Si prega di leggere e di osservare con attenzione tutte le istruzioni nel corso dell'installazione e quando si mette in funzione l'unità. Leggere attentamente questo manuale prima di cercare di togliere l'apparecchio dalla confezione, di installarlo o di farlo funzionare.

**ATTENZIONE!** L'alimentatore continuo di elettricità deve essere collegato a una presa di corrente a c.a. dotata di messa a terra, con fusibile di protezione o interruttore di circuito. **NON** inserire l'alimentatore continuo di elettricità in una presa non dotata di messa a terra. Nel caso sia necessario alimentare a corrente questa apparecchiatura, spegnere e staccare la spina dell'alimentatore continuo di elettricità.

**ATTENZIONE!** La batteria può alimentare componenti pericolosi presenti all'interno dell'unità, anche quando la corrente AC in ingresso non è collegata.

**ATTENZIONE!** L'alimentatore continuo di elettricità dovrebbe essere posizionato accanto all'apparecchiatura connessa e facilmente accessibile.

**ATTENZIONE!** Per evitare il rischio di incendio o di elettrocuzione, installare il dispositivo in ambiente chiuso con livelli di temperatura e di umidità controllati, al riparo da contaminanti conduttivi. (Consultare le specifiche per conoscere la gamma di livelli di temperatura e umidità accettabili).

**ATTENZIONE!** Per limitare il rischio di folgorazione, non asportare il coperchio, tranne nel caso di sostituzione della batteria. All'interno, ad eccezione della batteria, non sono presenti componenti sostituibili dall'utente.

**ATTENZIONE!** Per evitare rischi di folgorazione, spegnere l'unità e disinserirla dalla presa a c.a. prima di sostituire la batteria o installare il componente di un computer.

**ATTENZIONE!** Per ridurre il rischio di incendio collegare l'alimentatore continuo di elettricità a un circuito dotato di protezione massima dalla sovracorrente di 16 ampère, secondo i requisiti CE.

**ATTENZIONE!** La presa AC alla quale è collegato l'alimentatore continuo di elettricità dovrebbe essere accanto all'unità e facilmente accessibile.

**ATTENZIONE!** Per collegare l'alimentatore continuo di elettricità alla presa AC si prega di usare esclusivamente cavi elettrici testati VDE, provvisti di marcatura CE (per es. i cavi elettrici dell'apparecchiatura).

**ATTENZIONE!** Per collegare apparecchi di qualsiasi tipo all'alimentatore continuo di elettricità si prega di fare ricorso unicamente a cavi di alimentazione testati VDE e marcati CE.

**ATTENZIONE!** Installando l'apparecchio accertarsi che il valore derivante dalla somma della corrente dispersa dell'alimentatore continuo di elettricità e di quella dell'apparecchio collegato non superi i 3,5mA.

**ATTENZIONE!** Questo apparecchio è collegato in modo permanente e l'installazione può essere effettuata soltanto da personale di manutenzione qualificato.

**ATTENZIONE!** Non staccare l'unità dall'alimentatore AC mentre è in funzione in quanto ciò renderebbe nullo l'isolamento protettivo verso terra.

**ATTENZIONE! NON UTILIZZARE CON APPARECCHIATURE O EQUIPAGGIAMENTI MEDIC! NON** utilizzare in nessuna circostanza che andrebbe a interferire con il funzionamento o la sicurezza di un apparecchio o un'applicazione in campo medico o di strumenti destinati alla cura di un paziente.

**ATTENZIONE! NON UTILIZZARE L'APPARECCHIO PER O NELLE VICINANZE DI ACQUARI!** Per ridurre il rischio di incendio non utilizzare l'apparecchio per o nelle vicinanze di acquari. La condensa prodotta dall'acquario può entrare in contatto con i contatti elettrici in metallo e provocare un corto circuito.

**ATTENZIONE! NON UTILIZZARE CON STAMPANTI LASER!** La quantità corrente richiesta dalle stampanti laser è troppo elevata per un alimentatore continuo di elettricità.

**NON INSTALLARE L'ALIMENTATORE CONTINUO DI ELETTRICITÀ IN LUOGHI IN CUI SIA ESPOSTO ALLA LUCE SOLARE DIRETTA O ACCANTO A UNA SORGENTE DI CALORE INTENSO!**

## ISTRUZIONI DI SICUREZZA IMPORTANTI

**NON OSTRUIRE LE APERTURE DI VENTILAZIONE POSTE LUNGO IL PERIMETRO DELLA STRUTTURA ESTERNA!**

**NON COLLEGARE ALLE PRESE DI USCITA DELL'ALIMENTATORE CONTINUO DI ELETTRICITÀ ELETTRODOMESTICI COME PER ESEMPIO GLI ASCIUGACAPELLI.**

## INSTALLAZIONE DELL'ALIMENTATORE CONTINUO DI ELETTRICITÀ

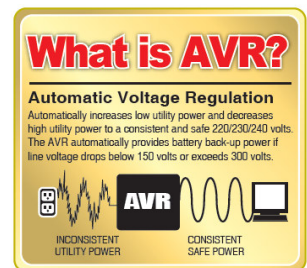
### ESTRAZIONE DALLA CONFEZIONE

La confezione dovrebbe contenere i seguenti elementi:

(1) 1 alimentatore continuo di elettricità; (2) 1 manuale utente; (3) 1 cavo telefonico; (4) 1 CD contenente il software PowerPanel® in versione aziendale; (5) 1 cavo USB di tipo A+B; (6) 2 staffe per montaggio su rack; (7) 2 slitte; (8) 1 cavo per lo spegnimento di emergenza (di colore grigio); (9) 2 cavo per interfaccia seriale (DB-9); (10) 4 cordoni elettrici di alimentazione (nel modello PR2200ELCDRTXL2U 6 cordoni elettrici)

### REGOLATORE AUTOMATICO DI TENSIONE (AVR)

I modelli PR1000ELCDRTXL2U/PR1500ELCDRTXL2U/PR2200ELCDRTXL2U sono in grado di stabilizzare l'alimentazione di rete AC costante. L'alimentazione di rete AC potrebbe danneggiare dati importanti e hardware, un regolatore automatico di tensione però contribuisce a far sì che i computer non raggiungano livelli di tensione pericolosi. Un regolatore automatico di tensione regola in automatico basse o alte tensioni in modo da mantenere l'apparecchiatura funzionante a livelli di corrente AC sicuri (220/230/240V) senza che avvenga il passaggio all'alimentazione a batteria. L'apparecchio può funzionare in modo normale e anche affrontare problemi di alimentazione come abbassamenti e interruzioni di tensione straordinari. Le potenti batterie acide al piombo sigillate alimenteranno l'apparecchio soltanto se la tensione in ingresso scende al di sotto di 150V o supera i 300V.



## INSTALLAZIONE HARDWARE

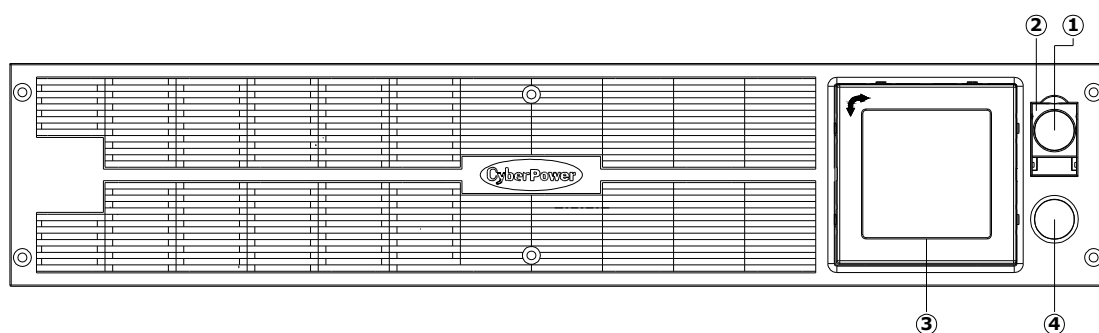
1. Durante la spedizione e la conservazione possono aver luogo delle perdite di carica della batteria. La prima volta che si usa l'alimentatore continuo di elettricità si raccomanda vivamente di caricare le batterie per almeno otto ore per essere certi che dispongano della massima capacità di carica. Per ricaricare le batterie è sufficiente inserire la spina dell'alimentatore continuo di elettricità in una presa AC.
2. Quando si utilizza il software fornito, collegare il cavo seriale o il cavo USB al computer e alla porta corrispondente dell'alimentatore continuo di elettricità. Nota: se si utilizza la porta USB la porta seriale sarà disconnessa. Le porte non possono essere utilizzate contemporaneamente. Un computer dotato di software PowerPanel® in versione aziendale si collega alla porta USB o alla porta seriale dell'alimentatore continuo di elettricità. Il computer può controllare il programma di funzionamento, verificare lo stato della batteria, controllare la presa ecc. e ottenere informazioni relative allo stato dell'alimentatore continuo di elettricità. Esistono però dei computer dotati di software PowerPanel® in versione aziendale in grado di ricavare unicamente delle informazioni sullo stato dell'alimentatore continuo di elettricità attraverso una connessione LAN.
3. Ad alimentatore continuo di elettricità spento e non inserito nella presa, collegare il computer, il monitor e qualsiasi dispositivo di salvataggio dati con alimentazione esterna (disco rigido, Tape ecc. nelle prese alimentate a batteria. NON collegare all'alimentatore continuo di elettricità una stampante laser, una fotocopiatrice, uno scaldabagno, un aspirapolvere, un distruggi documenti o altri apparecchi elettrici di grandi dimensioni. L'energia richiesta da queste apparecchiature creerà un sovraccarico e potrebbe danneggiare l'unità.
4. Per proteggere un fax, un telefono, una linea modem o un cavo di rete, collegare un cavo telefonico o di rete dalla presa jack a muro al jack IN dell'alimentatore continuo di elettricità. Collegare poi un cavo telefonico o di rete dal jack OUT presente sull'alimentatore continuo di elettricità al modem, al computer, al telefono, al fax, o alla periferica di rete.



## INSTALLAZIONE HARDWARE

- 5.** Premere l'interruttore di accensione per accendere l'alimentatore continuo di elettricità. Si illuminerà la spia indicante che l'apparecchio è acceso. Nel caso venga rilevato un sovraccarico, risuonerà un allarme udibile e l'alimentatore continuo di elettricità emetterà un segnale acustico prolungato. Per rimmetterlo a zero, spegnere l'unità e staccare alcune apparecchiature dalle prese. Accertarsi che l'apparecchio sopporti una corrente di carico rientrante nella gamma di valori sicuri per l'unità (fare riferimento alle specifiche tecniche) e poi accendere l'unità.
- 6.** L'alimentatore continuo di elettricità è dotato di una funzione di caricamento automatico. Quando l'alimentatore continuo di elettricità è inserito in una presa a c.a., la batteria si ricaricherà in automatico.
- 7.** Per mantenere una situazione di caricamento ottimale della batteria, lasciare l'alimentatore continuo di elettricità costantemente inserito in una presa a c.a.
- 8.** Prima di riporre l'alimentatore continuo di elettricità per un periodo di tempo prolungato, **SPEGNERE** l'unità. Poi coprirlo e riporlo con le batterie completamente cariche. Per garantire una buona capacità e una lunga vita della batteria ricaricare le batterie ogni tre mesi circa; questa pratica potrebbe anche evitare danneggiamenti all'unità dovuti a una perdita imprevista della batteria.
- 9.** L'unità è dotata di una porta seriale principale (I), di una porta seriale secondaria (II) e di una porta USB (accoppiata con la porta seriale principale), per consentire il collegamento e la comunicazione tra l'unità e qualsiasi computer ad essa collegato. La porta seriale principale (I) come anche l'accoppiata porta USB consentono una comunicazione bi-direzionale tra l'alimentatore continuo di elettricità e il computer principale ad esso collegato che esegue il software PowerPanel® in versione aziendale fornito. L'alimentatore continuo di elettricità è in grado di controllare lo spegnimento del computer in casi di emergenza e nello stesso tempo il computer è in grado di controllare l'alimentatore continuo di elettricità e di variare i suoi molteplici parametri programmabili. D'altro canto la porta seriale II consente soltanto all'alimentatore continuo di elettricità di avviare lo spegnimento automatico graduale del computer collegato nel caso si verifichi una situazione di emergenza.
- 10.** Porta EPO (acronimo di Emergency Power Off, spegnimento di emergenza): fare ricorso al cavo di colore grigio fornito per collegare l'apparecchio a uno speciale interruttore tattile che ne consente lo spegnimento di emergenza. Consultare il diagramma di circuito idoneo sotto riportato per collegare il cavo alla struttura di spegnimento di emergenza. L'interruttore per lo spegnimento remoto di emergenza è un interruttore installato in un'area esterna, collegato all'unità mediante un normale cavo telefonico di tipo RJ-11. Nel caso si verifichi un'emergenza vi si può fare ricorso per interrompere immediatamente l'alimentazione all'unità dell'alimentatore continuo di elettricità.

## FUNZIONAMENTO DI BASE



### **DESCRIZIONE**

#### **1. Interruttore di corrente**

Utilizzato come interruttore di accensione/spengimento principale per apparecchi collegati alle prese di corrente alimentate a batteria.

#### **2. Spia indicante lo stato di accensione**

Indica che le condizioni della corrente AC in ingresso sono normali e che le prese dell'alimentatore continuo di elettricità stanno erogando corrente priva di sovratensioni momentanee o scariche elettriche.

#### **3. Lettura multifunzione LCD**

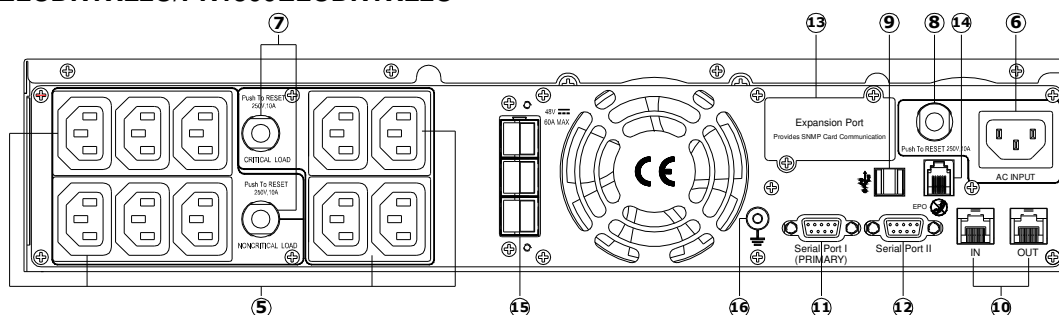
An LCD that shows various UPS information using icons and messages.

#### **4. Pulsante Alterna lettura LCD**

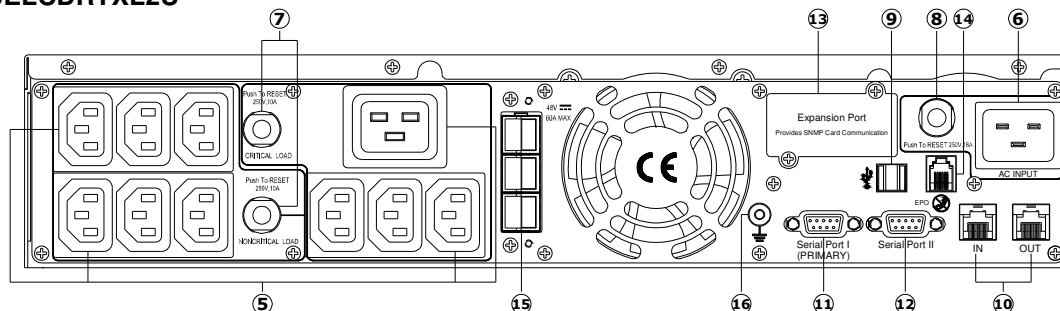
Viene utilizzato per scegliere tra le svariate informazioni che possono essere visualizzate sullo schermo LCD.

## FUNZIONAMENTO DI BASE

### PR1000ELCDRTL2U/PR1500ELCDRTL2U



### PR2200ELCDRTL2U



#### 5. Batteria di riserva, prese e regolatore automatico di tensione protetti dalle sovratensioni

L'unità è dotata di un totale di dieci prese con batteria di riserva e protezione dalle sovratensioni. Esse assicurano che le apparecchiature connesse continueranno a funzionare senza interruzioni per un determinato periodo di tempo nel corso di un'interruzione di corrente.

##### Stato critico / non-critico

È possibile programmare l'unità in modo che il blocco di uscite contrassegnato come "non-critico" (6 porte) dopo un certo periodo di tempo arresti l'erogazione di corrente all'apparecchiatura connessa, rendendo così disponibile un maggior tempo di esecuzione per le apparecchiature collegate alle uscite contrassegnate come "critiche" (4 porte). In altre parole l'utente può fissare una priorità di tempo di esecuzione di alcune apparecchiature collegate massimizzandone la "disponibilità" nel corso di un'interruzione prolungata dell'alimentazione. Questo tipo di controllo ha luogo grazie all'uso del software PowerPanel® in versione aziendale fornito.

#### 6. Ingresso c.a.

Collegare il cavo di alimentazione per c.a. a una presa correttamente cablata e messa a terra.

#### 7. Interruttore del circuito di uscita

L'interruttore del circuito serve a fornire una protezione dal sovraccarico in uscita e dai guasti.

#### 8. Interruttore del circuito di ingresso

L'interruttore del circuito serve a fornire una protezione dal sovraccarico in ingresso e dai guasti.

#### 9. Porta USB per il PC

È una porta di connessione che consente comunicazione e controllo tra l'alimentatore continuo di elettricità e il computer connesso. Bisognerebbe installare sul computer il software PowerPanel® in versione aziendale idoneo al sistema operativo in uso.

#### 10. Porte di comunicazione protette dalla sovratensione - RJ11/RJ45

Queste porte vengono utilizzate per proteggere da svariate condizioni di sovratensione i sistemi di cablaggio standard basati su cavi RJ-45/RJ-11 (ADSL, LAN, linee telefoniche/modem).

#### 11. Porta seriale I (principale)

La porta seriale I consente una comunicazione bi-direzionale tra l'alimentatore continuo di elettricità e il computer. L'alimentatore continuo di elettricità è in grado di controllare lo spegnimento del computer in casi di emergenza e nello stesso tempo il computer è in grado di controllare l'alimentatore continuo di elettricità e di variare i suoi molteplici parametri programmabili.

## FUNZIONAMENTO DI BASE

### 12. Porta seriale II (secondaria)

La porta seriale II consente all'alimentatore continuo di elettricità di avviare lo spegnimento automatico graduale del computer collegato nel caso si verifichi una situazione di emergenza.

### 13. Porta di espansione

Consente agli utenti di aggiungere una scheda SNMP supplementare.

### 14. Porta EPO (acronimo di Emergency Power Off, spegnimento di emergenza)

Nel caso si verifichi un'emergenza vi si può fare ricorso per interrompere immediatamente l'alimentazione all'unità dell'alimentatore continuo di elettricità.

### 15. Connettore esterno per la batteria

Fornisce una connessione per batterie esterne CyberPower aggiuntive per tempi di esercizio più lunghi.

## RIMONTAGGIO DELLA BATTERIA

Prima di sostituire la batteria leggere e osservare le seguenti ISTRUZIONI DI SICUREZZA MPORTANTI. Soltanto personale qualificato dovrebbe eseguire degli interventi sulle batterie. In caso di necessità si prega di contattare il proprio rivenditore di fiducia o di inviare un'e-mail all'indirizzo: [service@cyberpower-eu.com](mailto:service@cyberpower-eu.com). Inserire il numero del gruppo batterie da sostituire, per i modelli PR1000ELCDRTXL2U e PR1500ELCDRTXL2U/PR2200ELCDRTXL2U è RBP852.

**ATTENZIONE!** Utilizzare soltanto il tipo di batteria indicato: il tipo **HR9-12FR(BB)** per i modelli PR1000ELCDRTXL2U/PR1500ELCDRTXL2U/PR2200ELCDRTXL2U. Per richiedere delle batterie di ricambio contattare il proprio negoziante di fiducia.

**ATTENZIONE!** La batteria può provocare rischio di folgorazione. Non gettare le batterie nel fuoco, in quanto possono esplodere. Osservare tutte le norme adottate a livello locale per un corretto smaltimento delle batterie.

**ATTENZIONE!** Non aprire e non sezionare le batterie. Gli elettroliti che vengono sprigionati sono nocivi per l'epidermide e per gli occhi e possono essere tossici.

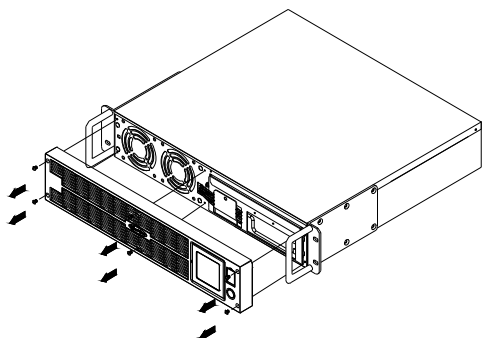
**ATTENZIONE!** Una batteria può comportare un alto rischio di corrente da corto circuito e di folgorazione.

**Prima di sostituire la batteria assumere le seguenti precauzioni:**

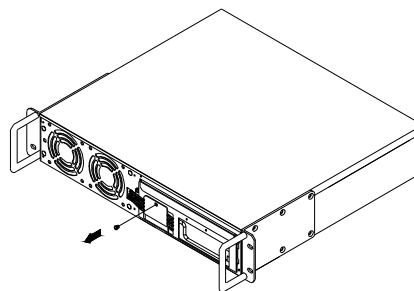
1. Togliersi orologi, anelli o altri oggetti metallici.
2. Utilizzare soltanto arnesi con maniglie isolate.
3. NON lasciare gli arnesi o altri elementi metallici appoggiati sulla batteria o sui suoi morsetti.
4. Indossare guanti e stivali di gomma.
5. Stabilire se la batteria è stata involontariamente messa a terra. Se è stata involontariamente messa a terra togliere la sorgente di messa a terra. **IL CONTATTO CON UNA BATTERIA MESSA A TERRA PUÒ PROVOCARE FOLGORAZIONI!** La probabilità di folgorazioni sarà ridotta se durante l'installazione e la manutenzione vengono rimosse dette sorgenti (condizione applicabile a un alimentatore continuo di elettricità e a un'alimentazione a batteria remota privi di circuito di messa a terra)

## RIMONTAGGIO DELLA BATTERIA

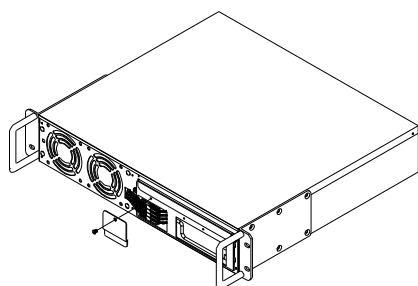
### PROCEDURA DI SOSTITUZIONE DELLA BATTERIA



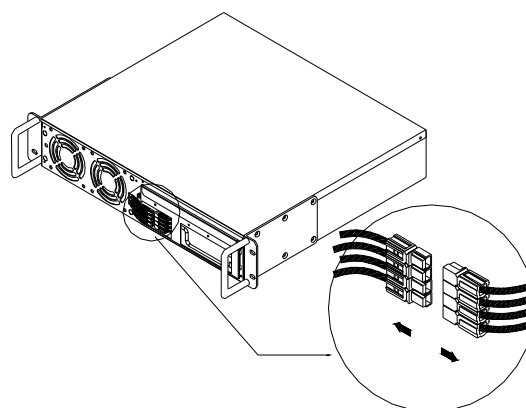
1. Togliere il pannello anteriore dal lato destro.



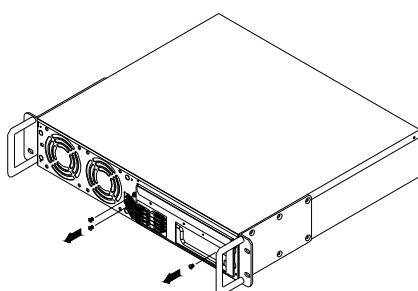
2. Togliere le due viti di bloccaggio dal coperchio protettivo dei cavi e poi togliere quest'ultimo.



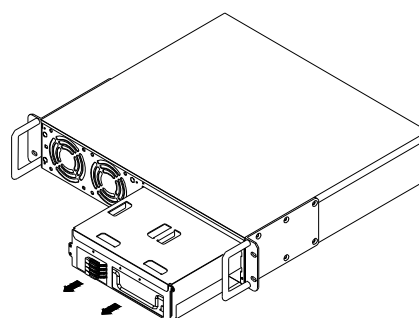
3. Togliere le due viti di bloccaggio dei connettori dei cavi.



4. Disconnettere dalla batteria il cavo nero e quello rosso.



5. Togliere le tre viti di bloccaggio.



6. Inserire nel vano i nuovi gruppi batteria. Serrare le viti e inserire di nuovo il coperchio protettivo dei cavi e il pannello anteriore. Ricaricare l'unità per 8 ore in modo da garantire che l'alimentatore continuo di elettricità effettui l'atteso tempo di esecuzione.

**RICORDARE!** Le batterie usate sono rifiuti pericolosi e devono essere smaltiti mediante riciclaggio. La maggior parte dei negozianti che vendono batterie acide al piombo raccolgono le batterie usate per riciclarle, come richiesto dalle leggi locali.

## DEFINIZIONI APPLICABILI AGLI INDICATORI LUMINOSI DELL'LCD

**1. Misuratore di tensione in ingresso:** questo rilevatore misura la tensione AC dalla presa a parete. La lettura della tensione in INGRESSO viene utilizzata per identificare le informazioni relative alla tensione in ingresso. Quando l'alimentatore continuo di elettricità si collega a un'apparecchiatura, il regolatore automatico di tensione può fornire un'uscita di corrente stabile da 220/230/240V. Nel caso di una totale perdita di corrente, di un grave abbassamento di tensione o di una sovratensione, l'alimentatore continuo di elettricità fa affidamento sulla propria batteria interna di riserva per fornire un'uscita costante di 220/230/240V.

**2. Misuratore di tensione in uscita:** questo rilevatore misura la tensione di uscita dall'alimentatore continuo di elettricità.

**3. Stima del tempo di esecuzione:** visualizza il tempo di esecuzione previsto dell'alimentatore continuo di elettricità in base al carico di corrente. Se il tempo di esecuzione viene accorciato, la capacità della batteria diminuirà (l'indicatore sulla barra che illustra la capacità della batteria scenderà verso il basso.)

**4. Icona funzionamento normale:** questa icona si illumina quando l'alimentatore continuo di elettricità funziona in condizioni normali.

**5. Icona della batteria:** nel caso in cui si verifichi un grave abbassamento o una grave interruzione della tensione, apparirà questa icona seguita da un segnale di allarme acustico (due suoni brevi), ciò indica che l'alimentatore continuo di elettricità ora sta funzionando mediante le sue batterie interne. Quando le batterie si sono esaurite (trascorso un certo periodo di tempo), risuonerà un allarme ininterrotto. Se ciò accade e non si ha un ripristino dell'alimentazione mediante la rete elettrica, si consiglia di salvare i file e spegnere manualmente l'apparecchio il prima possibile.

**6. Icona della regolazione automatica della tensione:** questa icona apparirà quando l'unità sta regolando automaticamente le condizioni di alta o bassa tensione della linea di ingresso AC, senza che ciò comporti il ricorso all'alimentazione a batteria.

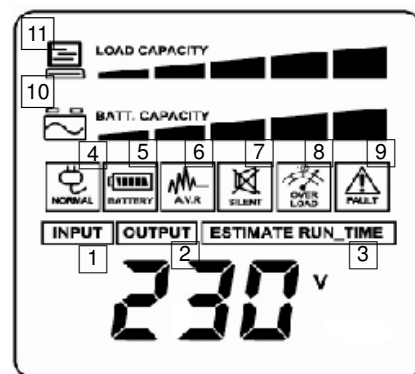
**7. Icona modalità silenzioso:** l'apparizione di questa icona indica che in modalità di funzionamento a batteria il segnale acustico non verrà prodotto fino a che non venga raggiunta una capacità della batteria criticamente bassa.

**8. Icona di sovraccarico:** l'apparizione di questa icona, seguita dal risuonare di un segnale di allarme, indicherà che è stata raggiunta una condizione di sovraccarico. Per ripristinare il funzionamento normale trovandosi in una situazione di sovraccarico, iniziare a disconnettere gli apparecchi collegati alle prese dell'alimentatore continuo di elettricità fino alla scomparsa dell'icona e alla cessazione del segnale di allarme.

**9. Icona di guasto:** La sua attivazione indica la presenza di un errore dovuto a guasto di sistema. Fare riferimento alla tabella inerente alla localizzazione dei guasti per identificare cause e soluzioni possibili.

**10. CAPACITÀ DELLA BATTERIA:** La CAPACITÀ DELLA BATTERIA è indicata da un grafico a colonne; ciascun segmento indica circa un 20% della capacità della batteria.

**11. CAPACITÀ DI CARICO:** La CAPACITÀ DI CARICO è indicata da un grafico a colonne; ciascun segmento indica circa un 20% della capacità della CARICO.



## FUNZIONI DI CONFIGURAZIONE DELLO SCHERMO LCD

### Modalità generale

a. Premere il pulsante "Alterna display" per controllare lo stato dell'alimentatore continuo di elettricità:

	<b>Voce</b>	<b>Unità</b>
1	Tensione in ingresso	V
2	Tensione in uscita	V
3	Frequenza in uscita	Hz
4	Carico	Kw
5	Tempo di esecuzione previsto	Min
6	Capacità di carico	%
7	Capacità della batteria	%
8	Gradi centigradi	°C
9	Gradi Fahrenheit	°F

b. Premere e mantenere premuto per 4 secondi il pulsante "Alterna display", se la macchina funziona in modalità batteria con allarme attivo, quest'ultimo verrà tacitato; se la macchina è alimentata elettricamente, avrà luogo un test di auto-diagnostica.

c. Se non si preme il pulsante "Alterna display" per più di 30 secondi, la retro-illuminazione dello schermo LCD si spegnerà automaticamente.

### Modalità di configurazione

**Fase 1:** Mantenere premuto il pulsante "Alterna display" per 10 secondi in modo da accedere alla modalità di configurazione dell'alimentatore continuo di elettricità.

**Fase 2:** Premendo il pulsante Alterna display, gli utenti possono spostarsi tra diverse funzioni di configurazione. Alcune funzioni configurabili dall'utente sono le seguenti:

a. Intervallo di ritardo: l'intervallo temporale di ritardo nel passaggio dalla modalità di alimentazione a batteria a quella di alimentazione a corrente. Esistono 9 diverse impostazioni. L'impostazione predefinita è 0 minuti.

b. Numeri del gruppo batteria: questa funzione fornisce il tempo di esecuzione dell'alimentatore continuo di elettricità previsto facendo ricorso a svariati numeri di gruppi batteria. L'impostazione predefinita è 0.

c. Tolleranza di frequenza statica: esistono 4 impostazioni (1, 2, 4, 6 %), l'impostazione predefinita è +/-6%. Descrizione funzionale: le impostazioni possono essere regolate in base alla qualità dell'elettricità utilizzata.

d. Velocità di risposta: conosciuta anche come tolleranza di frequenza dinamica. Ci sono 5 diverse impostazioni (0.25, 0.5, 1, 2, 4 Hz/sec). Il valore predefinito è 4Hz/sec. Descrizione funzionale: il termine "velocità di risposta" indica la tolleranza di un apparecchio nell'accettare la variazione di frequenza. Una "velocità di risposta" più bassa comporta una tolleranza minore, ma una protezione migliore per il carico connesso e viceversa.

e. Tensione di spegnimento causa carica batteria bassa: questa funzione regolerà il punto di spegnimento dell'alimentatore continuo di elettricità in base alla capacità rimanente della batteria.

Queste voci programmabili sono raggruppate per unità, come nella tabella seguente:

<b>Voci</b>	<b>Unità</b>
Intervallo di ritardo	Min
Numeri del gruppo batteria	A
Modalità di tensione (220/230/240)	V
Tolleranza di frequenza statica:	%
Velocità di risposta	Hz
Tensione di spegnimento causa carica batteria bassa	V
Versione del firmware	Nessuna

## FUNZIONI DI CONFIGURAZIONE DELLO SCHERMO LCD

Fase 3: Premere e mantenere premuto per 4 secondi "Alterna display". Quando le icone lampeggiano il valore di ciascuna voce può essere variato premendo leggermente il pulsante.

Fase 4: Per salvare il valore impostato e tornare alla modalità generale, premere e mantenere premuto il pulsante per 4 secondi.

**Nota!** Se l'alimentatore continuo di elettricità viene lasciato inattivo per più di 30 secondi durante la configurazione, spegnerà automaticamente la retro-illuminazione e tornerà in modalità generale.

**Nota!** Se l'utente non vuole salvare le nuove impostazioni e tornare alla modalità generale esistono due metodi:

- (1) Attendere che la retro-illuminazione scompaia o
- (2) Premere e mantenere premuto il tasto "Alterna display" per 10 secondi.

## LA TECNOLOGIA DELL'ENERGIA VERDE PER GLI ALIMENTATORI CONTINUI DI ELETTRICITÀ CYBERPOWER

La progettazione del circuito funzionante con energia verde di CyberPower costituisce una soluzione a questa "perdita di energia". Durante il normale funzionamento dell'alimentazione di rete, il nostro alimentatore continuo di elettricità con energia verde funziona in modalità bypass. Il modello a energia verde conduce corrente soltanto attraverso il relè e continua a fornire una normale tensione di uscita. Bypassare il trasformatore riduce il consumo di energia, consentendo quindi di conservare energia e risparmiare denaro. Quando l'alimentazione di rete è anomala l'alimentatore continuo di elettricità funzionerà a batteria o grazie al regolatore di tensione automatico. In questa situazione un alimentatore continuo di elettricità funzionante ad energia verde e uno tradizionale funzioneranno allo stesso modo.



Supponendo che l'alimentazione di rete funzioni per l'88% del tempo, in questi periodi di tempo gli apparecchi che fanno ricorso alla tecnologia dell'energia verde di CyberPower saranno in funzione in modalità bypass, risparmiando denaro ed energia.



## CARATTERISTICHE TECNICHE

Modello	PR1000ELCDRTXL2U	PR1500ELCDRTXL2U	PR2200ELCDRTXL2U
Potenza (VA)/(Watts)	1000VA/750W	1500VA/1125W	2200VA/1650W
<b>Ingresso</b>			
Collegamenti in ingresso	IEC 320 C14		IEC 320 C20
Gamma tensioni in entrata	160VAC~290VAC		
Gamma di frequenza	50/60Hz +/- 3Hz		
<b>Uscita</b>			
Tensione d'uscita con batteria	230Vac +/-5%		
Frequenza d'uscita con batteria	50/60Hz +/-0.1Hz		
Trasferimento Tempo	4ms (Typical)		
Protezione sovraccarico	Con alimentazione CA: interruttore di circuito; Con batteria: limitazione di corrente interna		
<b>Protezione da sovratensione</b>			
Illuminazione / Protezione da sovratensione	Si		
Predisposizione al collegamento a Internet (protezione ADSL / telefono / fax / modem)	RJ11/RJ45 (Entrata/Uscita )		
<b>Caratteristiche fisiche</b>			
Prese di corrente in uscita	(10) IEC C13		(9) IEC C13, (1) IEC C19
Dimensioni massime (cm)	2U Rack, 43.3 x 8.8 x 48		
Peso (kg)	31.3	33.9	35
<b>Batteria</b>			
Batteria ermetica acida al piombo senza manutenzione	12V / 9.0Ah x 4		
Batteria esterna sostituibile a caldo	Si		
<b>Diagnostica di avvertimento</b>			
Indicatori	Alimentazione sopra, Esposizione del LCD (funzionamento a batteria, regolatore automatico di tensione, livello di caricamento, livello batteria)		
Allarmi sonori	Con batteria, Batteria di accensione, Sovraccarico		
Temperatura per il funzionamento	da 0°C a 40°C		
<b>Comunicazione</b>			
Software PowerPanel® in versione per uso aziendale	Windows Vista/XP/2000/Server 2003, Linux, Windows 7		
<b>Gestione</b>			
Test Automatico	Si		
Auto-carica	Si		
Auto-riavvio	Si		
USB	Si		
Rete SNMP / HTTP	Opzionale		

## CARATTERISTICHE TECNICHE

Problema	Causa possibile	Soluzione
La presa non alimenta l'apparecchio	L'interruttore di circuito è scattato a causa di un sovraccarico.	Spegnere l'alimentatore continuo di elettricità e disconnettere almeno un apparecchio. Attendere 10 secondi, azzerare l'interruttore di circuito e riaccendere l'alimentatore continuo di elettricità.
	Le batterie sono scariche	Ricaricare l'unità per almeno 4 ore
	L'unità è stata danneggiata da una sovratensione o da una scarica elettrica.	Contattare CyberPower Systems per avere informazioni riguardo alla sostituzione delle batterie all'indirizzo: <a href="mailto:service@cyberpower-eu.com">service@cyberpower-eu.com</a>
	Le uscite non critiche si sono disattivate automaticamente a causa di un sovraccarico.	Premere il pulsante dell'interruttore in modo da attivare le uscite non critiche.
L'alimentatore continuo di elettricità non effettua il tempo di esecuzione atteso.	Le batterie non sono completamente cariche.	Ricaricare le batterie lasciando inserita la spina dell'alimentatore continuo di elettricità nella presa.
	Le batterie si sono rovinate	Contattare CyberPower Systems per avere informazioni riguardo alla sostituzione delle batterie all'indirizzo: <a href="mailto:service@cyberpower-eu.com">service@cyberpower-eu.com</a>
L'alimentatore continuo di elettricità non si accende.	L'interruttore di accensione/spegnimento è stato progettato in modo tale da evitare danni mediante accensione o spegnimento rapidi.	Spegnere l'alimentatore continuo di elettricità. Attendere 10 secondi e poi accendere l'alimentatore continuo di elettricità.
	L'unità non è collegata a una presa AC.	L'unità deve essere collegata a una presa da 220/230/240v.
	Le batterie si sono rovinate.	Contattare CyberPower Systems per avere informazioni riguardo alla sostituzione delle batterie all'indirizzo: <a href="mailto:service@cyberpower-eu.com">service@cyberpower-eu.com</a>
	Problemi di carattere meccanico.	Contattare CyberPower Systems all'indirizzo: <a href="mailto:service@cyberpower-eu.com">service@cyberpower-eu.com</a>
La versione per uso personale del software PowerPanel® non è attiva.	Il cavo seriale o il cavo USB non sono collegati.	Collegare il cavo all'unità dell'alimentatore continuo di elettricità. Si deve usare il cavo fornito insieme all'unità.
	Il cavo è collegato alla porta sbagliata.	Provare ad effettuare il collegamento a un'altra porta del computer.
	L'unità non eroga alimentazione mediante le batterie.	Arrestare il computer e spegnere l'alimentatore continuo di elettricità. Attendere 10 secondi e riaccendere l'alimentatore continuo di elettricità. Ciò dovrebbe azzerare l'unità.
	Il cavo seriale non è il cavo che era stato fornito con l'unità.	Per il software è necessario utilizzare il cavo fornito con l'unità.

Ulteriori informazioni sulla soluzione di eventuali guasti si possono trovare sul sito [eu.cyberpowersystems.com](http://eu.cyberpowersystems.com)  
Per maggiori informazioni visitare il sito [eu.cyberpowersystems.com](http://eu.cyberpowersystems.com) o contattare

**CyberPower Systems B.V.**

Flight Forum 3545 5657DW Eindhoven The Netherlands  
Tel: +31 40 2348170, E-MAIL: [sales@cyberpower-eu.com](mailto:sales@cyberpower-eu.com)

Tutti i contenuti soggetti a copyright ©2009 CyberPower Systems B.V. Tutti i diritti riservati. E' vietata la riproduzione non autorizzata parziale o totale. PowerPanel® e PowerPanel® Plus sono marchi di CyberPower Systems (USA) Inc.