

Package Contents

Safety Information - read these instructions before hardwiring the UPS

Wiring must be performed by qualified electrical personnel.

Adhere to all national and local electrical codes when wiring this unit.

1. Disconnect equipment connected to the UPS.
NOTE: Model 5000RM5U has four internal batteries. The two front batteries must be disconnected.
2. Press the OFF button located on the front of the UPS.
3. Disconnect batteries from the UPS.
 - a. Model 5000RM5U has four internal battery modules. The two front internal batteries must be disconnected.
 - b. Models 2200/3000XL require the disconnect of one internal battery module. The XL models may have external batteries connected to the UPS. The external batteries must be disconnected from the UPS.
 - c. All other units require the disconnect of one internal battery module.
4. Disconnect the UPS from utility power.

When removing the panels from the UPS, note which cable is connected to the AC input. There are two 4-pin connectors on the UPS and they are not interchangeable.

APC Worldwide Customer Support

Customer support for this or any other APC product is available at no charge in any of the following ways:

- Refer to the APC Web site to access documents in the APC Knowledge Base and to submit customer support requests.
 - www.apc.com (Corporate Headquarters)
Connect to localized APC Web sites for specific countries, each of which provides customer support information.
 - www.apc.com/support/
Global support searching APC Knowledge Base and using e-support.
- Contact an APC Customer Support center by telephone or e-mail.
Local, country-specific centers: go to www.apc.com/support/contact for information.

Contact the APC representative or other distributor from whom you purchased your APC product for information on how to obtain local customer support.

Entire contents copyright 2008 American Power Conversion Corporation. All rights reserved. Reproduction in whole or in part without permission is prohibited.

APC, the APC logo, and Smart-UPS are trademarks of American Power Conversion Corporation.

All other trademarks, product names, and corporate names are the property of their respective owners and are used for informational purposes only.

			Terminal block Terminal block label Screws for securing terminal block to UPS
8 screws for securing panels to UPS	2 wire nuts	4 grounding screws	
			Model 2200/3000 Tower 100/120/230 V Input and output panels Blank panel to cover terminal block
			Model 2200/3000XL 120/208/230 V Input panel Output panel Blank panel to cover terminal block
			Model 5000RM5U 208/230 V Input and output panels Blank panel to cover terminal block

2200/3000 Tower 100/120/230 V models

The AC input/output panels on the 2200/3000 VA tower units vary in appearance. The hardwire panels and hardwiring configurations for the 2200/3000 VA tower units are identical.

1 Remove the five screws that secure the PDU/IO panels to the UPS.
Save these screws for securing the I/O hardwire panels.
Disconnect the PDU/IO cables as shown in the diagram.



NOTE: The input and output cables may be connected to the terminal block prior to installing the panels and the terminal block in the UPS.

2 Secure the hardwire input and output panels (supplied), to the UPS using four of the screws removed from the PDU/IO panels.
Install appropriate strain relief clamps (not supplied), to the I/O panels as shown in the diagram.

3 Secure the terminal block and label to the UPS as shown in the diagram, using two screws (supplied).

4 Connect input and output wires as shown in diagram.

5 Connect the terminal block and UPS connectors as shown in diagram.

6 Secure the blank panel to the UPS using three screws (supplied).

2200/3000XL 120/208/230 V models

The PDU and AC input/output panels on the 2200/3000 VA rack-mount units vary in appearance. The hardwire panels and hardwiring configurations for the 2200/3000 VA rack-mount units are identical.

1
Remove the screws that secure the PDU panel to the UPS.
Save these screws for securing the I/O hardwire panels.
Disconnect the PDU cables as shown in the diagram.

2
Remove the screws that secure the I/O panel to the UPS.
Save these screws for securing the I/O hardwire panels.
Disconnect the input cable



NOTE: The input and output cables may be connected to the terminal block prior to installing the panels and the terminal block in the UPS.

3
Secure the hardwire input panel (supplied), to the UPS using two of the screws removed from the PDU panel.
Install appropriate strain relief clamps (not supplied), to the input panel (not supplied), as shown in the diagram.

4
Secure the terminal block and label to the UPS as shown in the diagram, using two screws (supplied).

5
Connect input and output wires as shown in diagram.

6
Connect the terminal block and UPS connectors as shown in diagram.

7 Secure the output panel to the UPS using two screws, (screws and panel supplied).
The top edge of the blank panel fits behind the output panel.
Secure the blank panel to the UPS using four screws supplied.

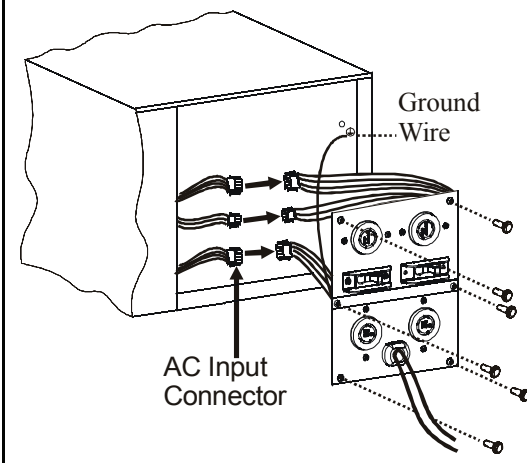
5000RM5U 208/230 V models

1 208 V model:

Remove the six screws that secure the PDU/IO panel to the UPS.

Save these screws for securing the IO hardwire panels.

Disconnect the PDU/IO cables as shown in the diagram.

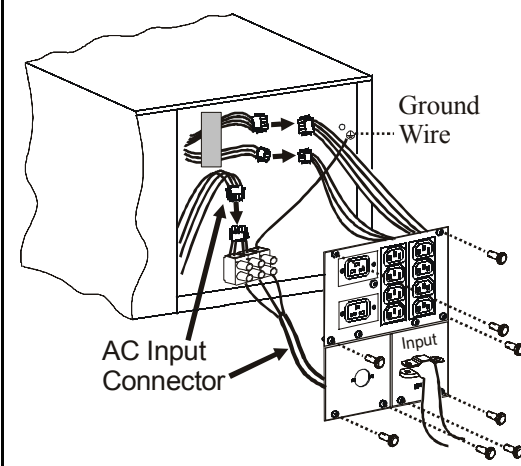


230 V model:

Remove the eight screws that secure the PDU/IO panel to the UPS. Remove the two screws that secure the terminal block in the chassis.

Save these screws for securing the IO hardwire panels.

Disconnect the PDU/IO cables as shown in the diagram.



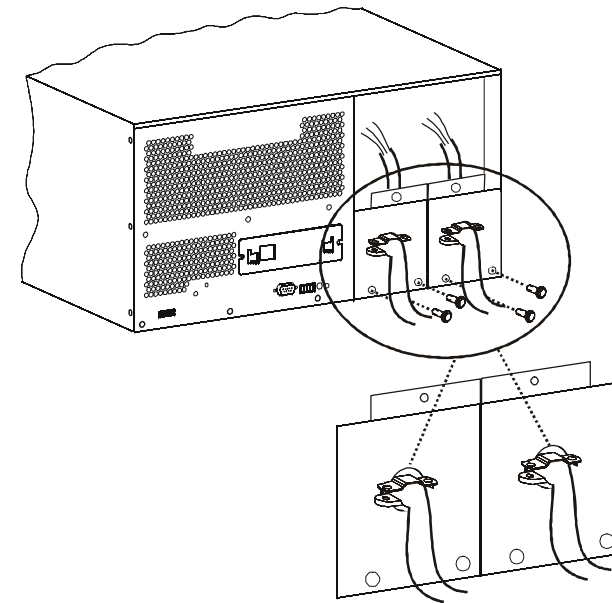
2

Secure the hardwire input and output panels (supplied), to the UPS using the four screws removed from the PDU/IO panel.

Install appropriate strain relief clamps (not supplied), to the I/O panels (supplied), as shown in the diagram.

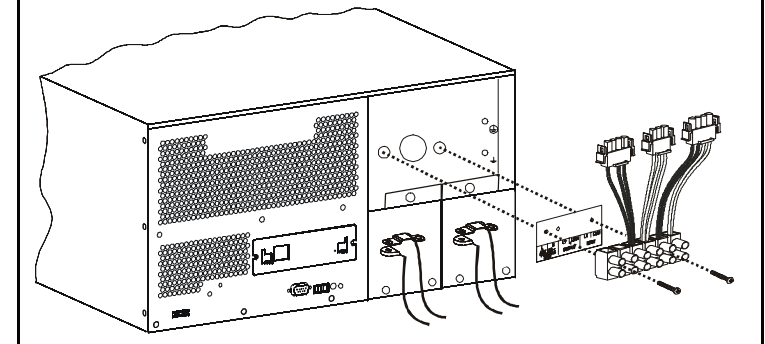


NOTE: The input and output cables may be connected to the terminal block prior to installing the panels and the terminal block in the UPS.



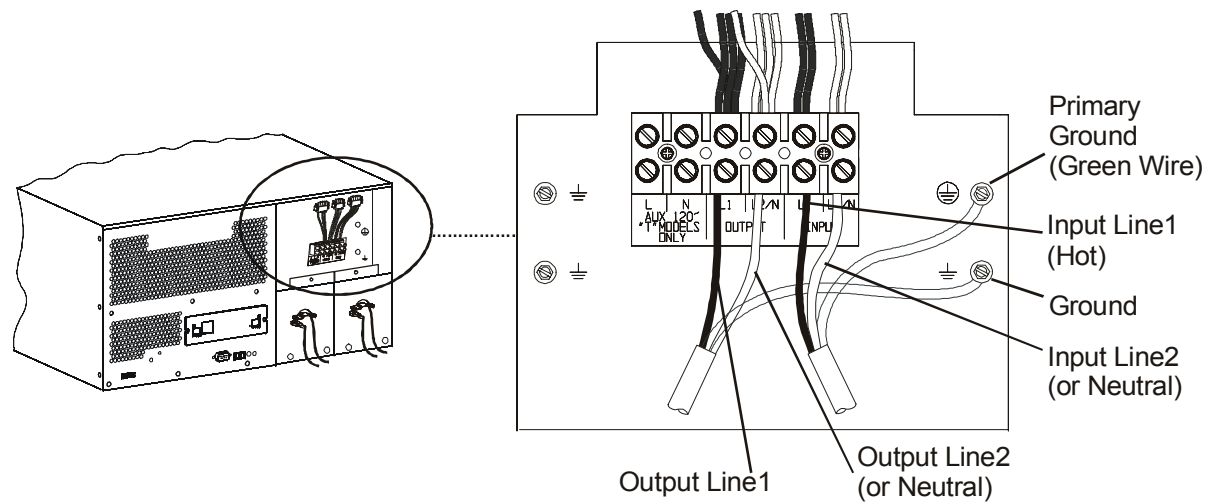
3

Secure the terminal block and label to the UPS as shown in the diagram, using two screws (supplied).



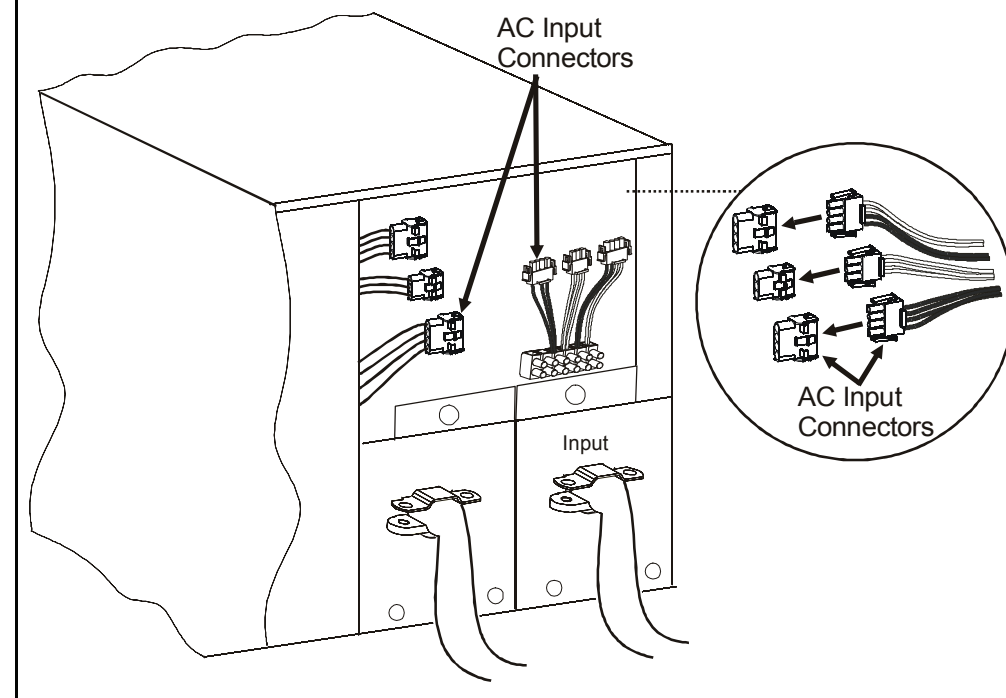
4

Connect input and output wires as shown in diagram.



5

Connect the terminal block and UPS connectors as shown in diagram.



6

Secure the blank panel to the UPS using six screws (supplied).

